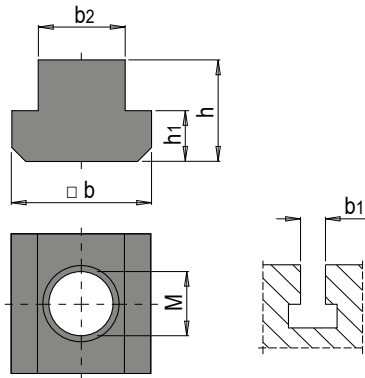


HWS 9016



T-Nutenstein, DIN 508

T-nut, DIN 508



DIN 508

b2	b	h	h1	FK ¹⁾	M	b1	Nr. / No.
5.7	10	8	4	10	M 5	6	HWS 9016/ 5/ 6
7.7	13	10	6		M 6	8	HWS 9016/ 6/ 8
9.7	15	12	7		M 8	10	HWS 9016/ 8/10
11.7	18	14			M10	12	HWS 9016/ 8/12
13.7	22	16	8		M 8	14	HWS 9016/10/12
					M10		HWS 9016/8/14
					M12		HWS 9016/10/14
15.7	25	18	9		M12	16	HWS 9016/12/14
					M 8		HWS 9016/ 8/16
					M10		HWS 9016/10/16
					M12		HWS 9016/12/16
17.7	28	20	10		M14	18	HWS 9016/14/16
					M 8		HWS 9016/ 8/18
					M10		HWS 9016/10/18
					M12		HWS 9016/12/18
					M14		HWS 9016/14/18
19.7	32	24	12	M16	20	HWS 9016/16/18	
				M18		HWS 9016/16/20	
				M16		HWS 9016/18/20	
				M18		HWS 9016/16/22	
21.7	35	28	14	M20	22	HWS 9016/18/22	
				M16		HWS 9016/20/22	
				M18		HWS 9016/16/24	
23.7	40	32	16	M20	24	HWS 9016/20/24	
				M16		HWS 9016/16/24	
27.7	44	36	18	M24	28	HWS 9016/20/24	

1) FK: Festigkeitsklasse / FK: strength class