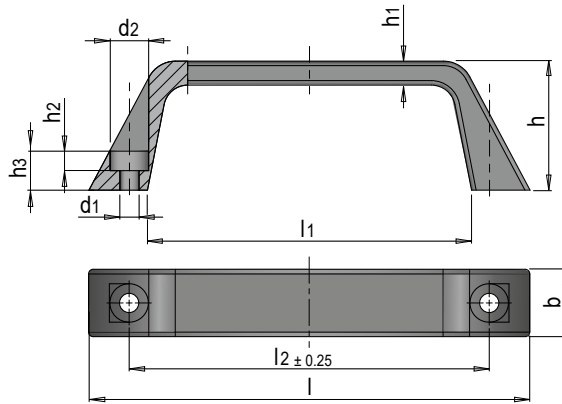


**E 93411**



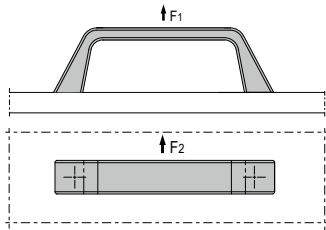
**Bügelgriff bedienerseitig, Aluminium-Druckguss**

*Pull handle, front mounting, die-cast aluminium*



Mat.: Aluminium-Druckguss  
die-cast aluminium

b	l	h	d1	l1	h1	d2	h2	h3	l2	Nr. / No.
22.5	147	42.5	6.4	108	8	11	6.5	13	120	E 93411/120



Nr. / No.	F1 [kN]	F2 [kN]
E 93410/120	2.5	2.0
E 93411/120	2.5	2.0