

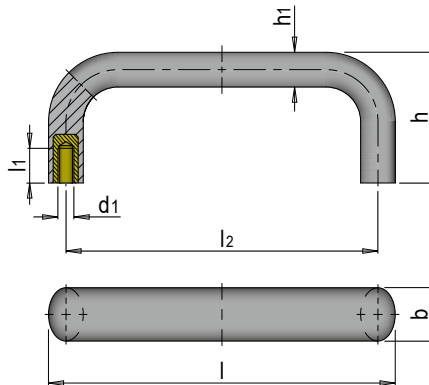
E 93408



Bügelgriff oval, Thermoplast

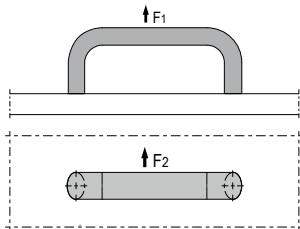
Oval pull handle, thermoplastic

- » Buchsen aus Messing, mit Gewinde-Sacklöchern
- » Hoch belastbar
- » Brass bushes with threaded blind holes
- » High durability



Mat.: Polypropylen PP
Polypropylene PP

b	l	h	l1	h1	l2	d1	Nr. / No.
25	134	49	12	15	117	M 6	E 93408/117/ 6
26	148	53	13	16	132	M 8	E 93408/132/ 8
	166	56			150		E 93408/150/ 8



Nr. / No.	F1 [kN]	F2 [kN]
E 93402/112	2.2	1.2
E 93402/128	2.2	1.2
E 93402/160	3.5	2.8
E 93408/117	2.6	2.8
E 93408/132	2.4	2.2
E 93408/150	2.5	2.2