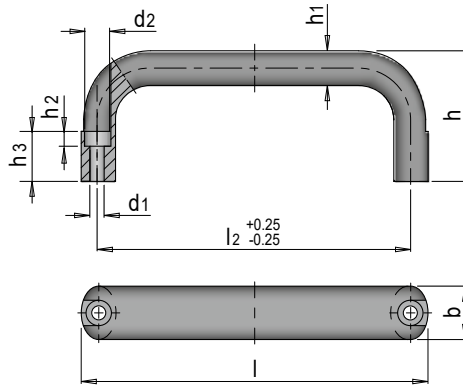


E 93401



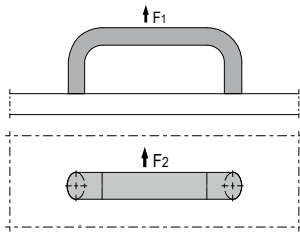
Bügelgriff bedienerseitig, Aluminium

Pull handle, front mounting, aluminium



Mat.: Aluminium, kunststoffbeschichtet
Aluminium, plastic coated

b	l	h	d1	h1	d2	h2	h3	l2	Nr. / No.
20	124	49	5.4	13	10	5.5	19	112	E 93401/112
	140	51						128	E 93401/128
26	178	57	6.4	17	11	6	17	164	E 93401/164



Nr. / No.	F1 [kN]	F2 [kN]
E 93400/112	2.2	1.2
E 93400/128	2.2	1.2
E 93400/160	3.5	2.8
E 93401/112	2.4	1.2
E 93401/128	2.3	1.0
E 93401/164	3.6	2.0