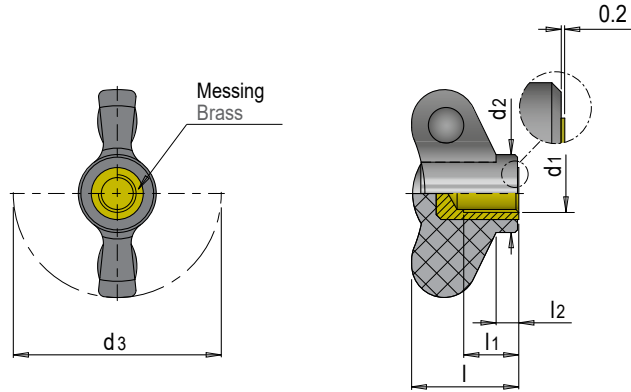


E 93260



Flügelmutter, Thermoplast

Wing nut, thermoplastic



Mat.: Polyamid PA, glasfaserverstärkt
polyamide PA, glass fibre reinforced

l	l1	d2	l2	d3	d1	Nr. / No.
16.5	8	12	3.5	32	M 6	E 93260/ 6
21	13	13.5	4.5	40	M 8	E 93260/ 8