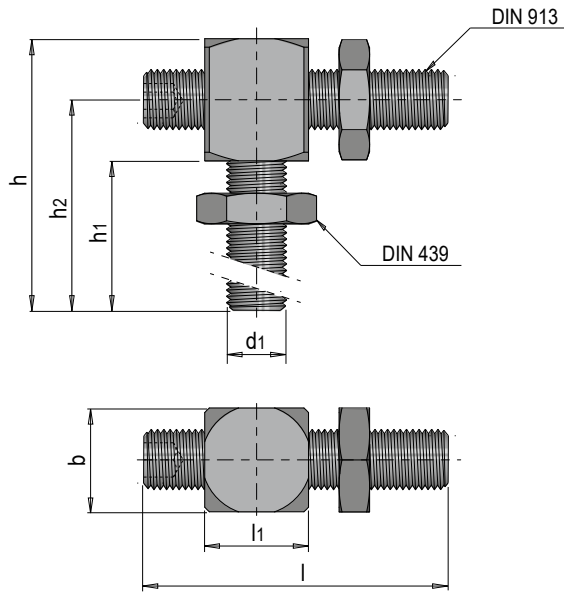


E 92090



Schraubanschlag, verstellbar

Screw stop, adjustable



Mat.: Stahl, vergütet / steel, tempered

| b | l | h | l1 | h1 | h2 | d1 | Nr. / No. |
|----|----|-----|----|----|----|------------|------------|
| 10 | 30 | 44 | 10 | 30 | 37 | M 6 | E 92090/ 6 |
| 13 | 40 | 56 | 13 | 40 | 48 | M 8 | E 92090/ 8 |
| 17 | 50 | 70 | 17 | 50 | 60 | M10 | E 92090/10 |
| 19 | 60 | 84 | 19 | 60 | 72 | M12 | E 92090/12 |
| 24 | 80 | 112 | 24 | 80 | 96 | M16 | E 92090/16 |

