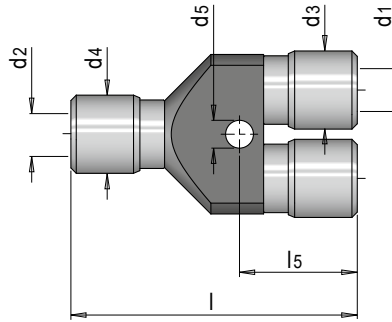
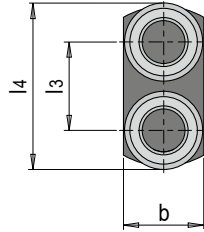


E 7410



Steckanschluss Y-Verbinder

Push-in Y-connector



Mat.: Messing vernickelt / FKM (Viton®)
brass, nickel-plated / FKM (Viton®)



p max. = 16 bar t max = 95°C

b	l	d3	l3	d4	l4	d5	l5	d2	d1	Nr. / No.
12	44	11.5	13.2	11.5	24.7	4.2	18	6	6	E 7410/ 6/ 6
15	46			14.5				8		E 7410/ 8/ 6
15	55	14.5	16.5	14.5	31	5.2	22	8	8	E 7410/ 8/ 8
17				16.5				10		E 7410/10/ 8
17	60.5	16.5	19	16.5	35.5	5.2	24.5	10	10	E 7410/10/10
21	64			20				12		E 7410/12/10