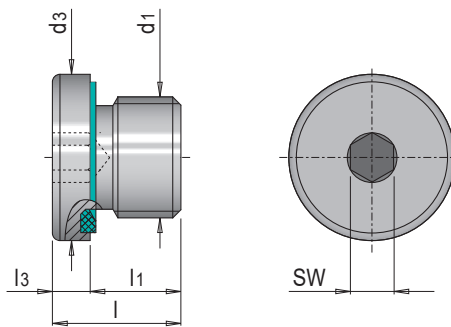


E 7140



Verschlusschraube mit Bund, Stahl

Screw plug with collar, from steel



Mat.: Stahl verzinkt / FKM (Viton)
galvanised steel / FKM (Viton)

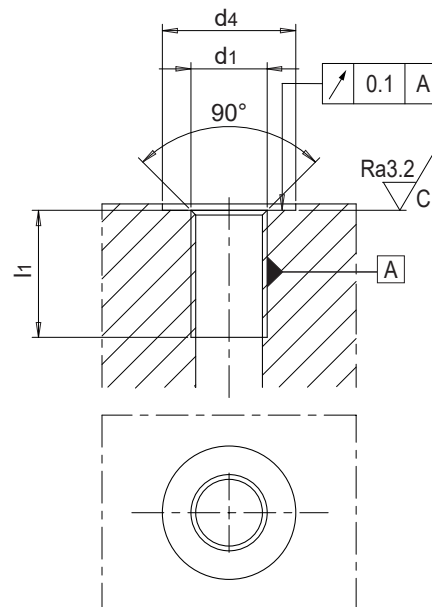
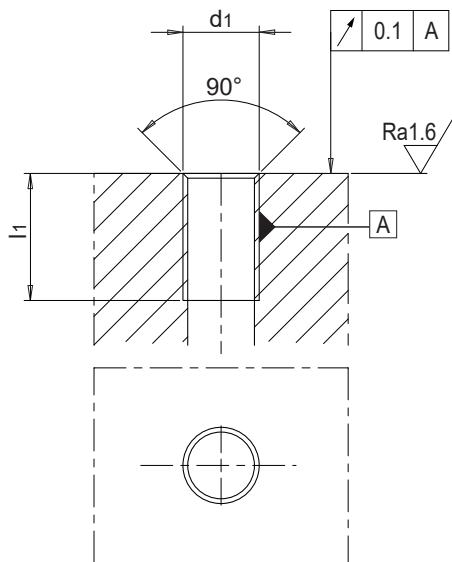
p max = 400 bar

t max = 100°C Wasser/water
180°C Öl/oil

l	l1	l3	d3	SW	d1	Nr. / No.
12.3	8	4.3	14	5	M10x1	E 7140/ 10
17.3	12	5.3	17	6	M12x1.5	E 7140/ 12
			19		M14x1.5	E 7140/ 14
			22	8	M16x1.5	E 7140/ 16
			24		M18x1.5	E 7140/ 18
19.3	14		27	10	M22x1.5	E 7140/ 22
12.3	8	4.3	14	5	G 1/8"	E 7140/ 1/8
17.3	12	5.3	19	6	G 1/4"	E 7140/ 1/4
			22	8	G 3/8"	E 7140/ 3/8
			27	10	G 1/2"	E 7140/ 1/2

Einbauvariante 1
Types of installation 1

Einbauvariante 2
Types of installation 2



d1	d1 [mm]	l1 min.	d4	A [Nm] ¹⁾
M10x1	10	8	15	12 Nm
M12x1.5	12	12	18	25 Nm
M14x1.5	14	12	20	35 Nm
M16x1.5	16	12	23	50 Nm
M18x1.5	18	12	25	60 Nm
M22x1.5	22	14	28	80 Nm
G 1/8"	9.73	8	15	12 Nm
G 1/4"	13.16	12	20	30 Nm
G 3/8"	16.66	12	23	55 Nm
G 1/2"	20.96	14	28	80 Nm

1) A: max. Anzugsmoment [Nm] / A: max. tightening torque [Nm]