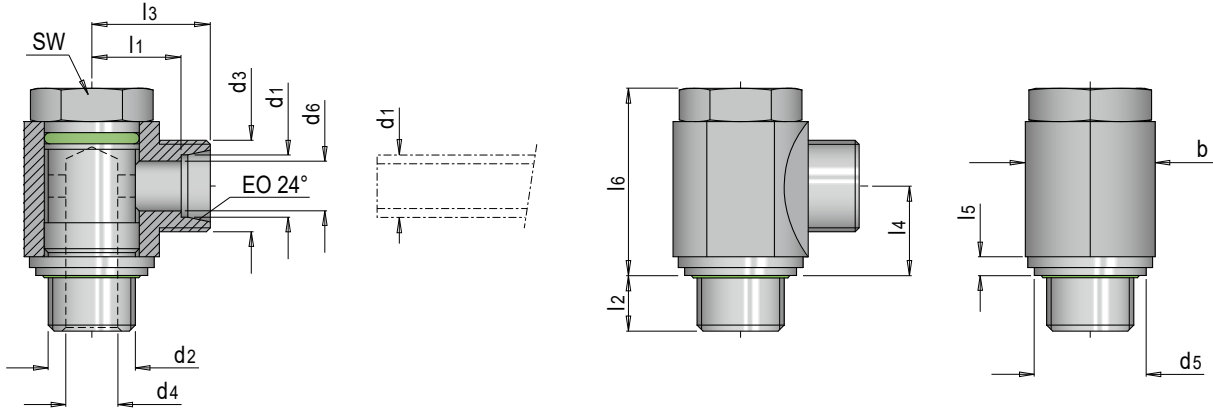


E 7120



Schwenkanschluss 90° mit Dichtkegel EO 24°

90° swivel joint with sealing cone EO 24°



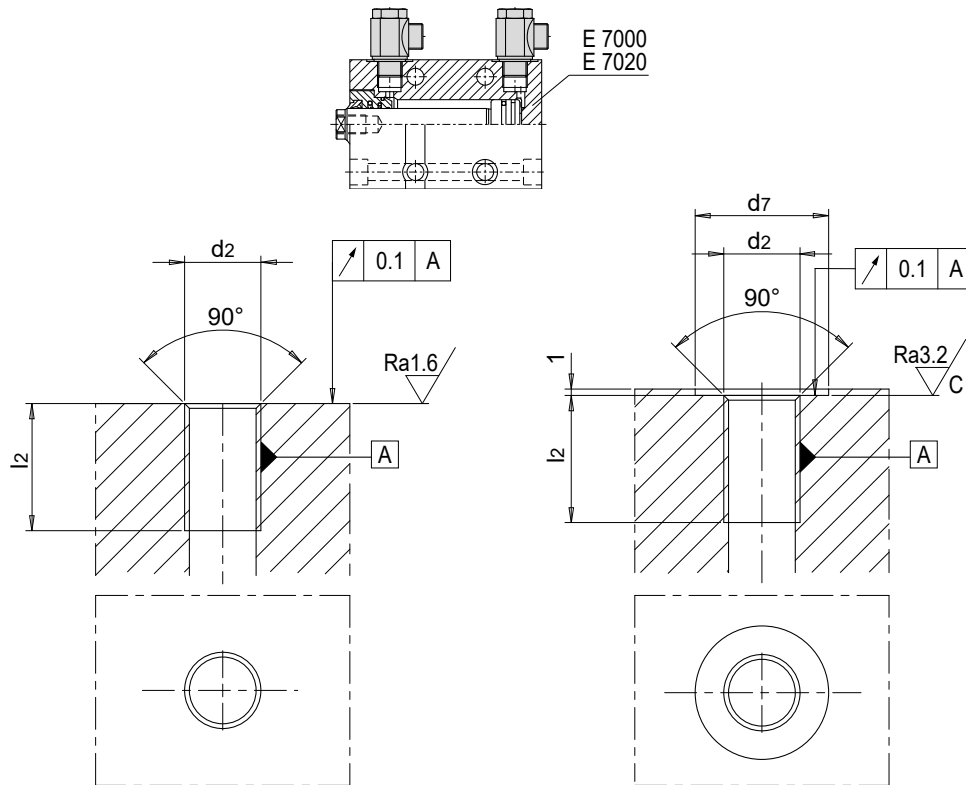
Mat.: Stahl Zink-Nickel-beschichtet / FKM (Viton)  
zinc-nickel plated steel / FKM (Viton)



t max. = 180°C

b	l1	l2	l3	d3	l4	d4	l5	d5	l6	d6	SW	p max.	d1	d2	Ausführung / Design <sup>1)</sup>	Nr. / No.
14	10.4	8	17.5	M12x1.5	10	4.5	1.1	14.8	22	4	13	400 bar	6	G 1/8"	L	E 7120/ 6/ 1/8 /L
19	13.1	11.5	20.3	M14x1.5	13	6	1.6	19.8	27.5	6	17	420 bar	8	G 1/4"		E 7120/ 8/ 1/4 /L
			14.1	21.3									M16x1.5	8		10
24	16.1		23.3	M18x1.5	16	7.5	2.1	22.8	34	10	22		12	G 3/8"	E 7120/12/ 3/8 /L	
30	20.4	14	27.5	M22x1.5	21.5	12	2.6	27.8	44	12	27	350 bar	15	G 1/2"	S	E 7120/15/ 1/2 /L
19	15.1	11.5	22.3	M16x1.5	13	6	1.6	19.8	27.5	5	17	420 bar	8	G 1/4"		E 7120/ 8/ 1/4 /S
30	21.4	14	30	M24x1.5	21.5	12	2.6	27.8	44	12	27	350 bar	16	G 1/2"		E 7120/16/ 1/2 /S

1) Ausführung: L = leichte Ausführung, S = schwere Ausführung / Design: L = light duty, S = heavy duty



d2	d2 [mm]	l2 min.	d7
G 1/8"	9.73	8	16
G 1/4"	13.16	12	20
G 3/8"	16.66	12	23
G 1/2"	20.96	14	28