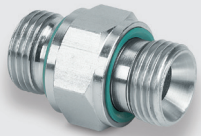
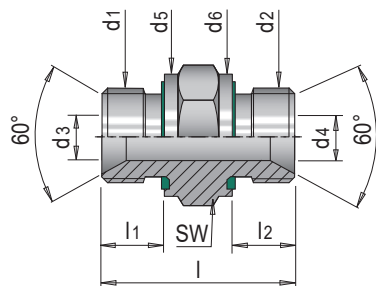


E 7103



Hydraulikadapter, mit Dichtring beidseitig

Hydraulic adapter, with sealing ring on both sides

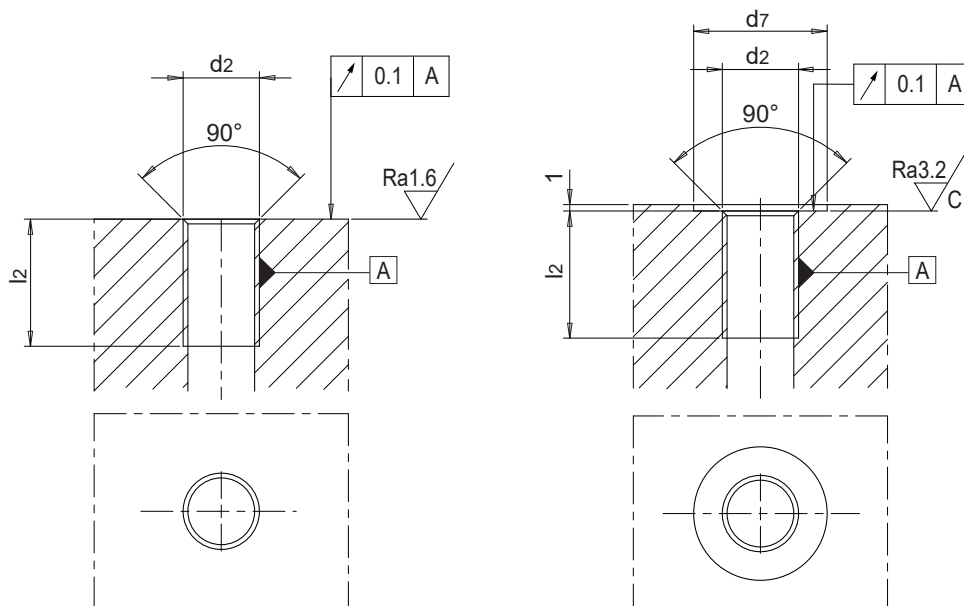
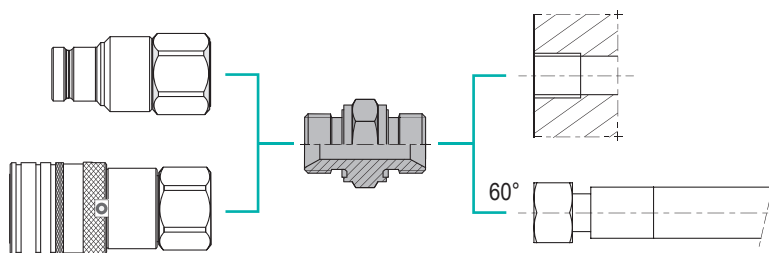


Mat.: Stahl verzinkt, FKM  
galvanized steel, FKM

t max = 200°C

p max.	SW	l	l1	l2	d3	d4	d5	d6	d1	d2	Nr. / No.	
250 bar	19	34	12	12	4.7	4.7	19	19	G 1/4"	G 1/4"	E 7103/ 1/4/ 1/4	
		34.5			7.9						22	E 7103/ 3/8/ 1/4
	22	37	14	14	11.1	7.9	27	22	G 3/8"	G 3/8"	E 7103/ 3/8/ 3/8	
		41									11.1	27
	27	44	44	14	14	11.1	11.1	27	27	G 1/2"	G 1/2"	E 7103/ 1/2/ 1/2

1) DN: Nennweite / nominal diameter



d2	d2	l2 min.	d7
G 1/4"	13.16	12	20
G 3/8"	16.66		23
G 1/2"	20.96	14	28