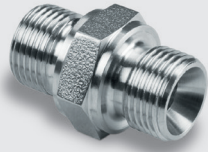


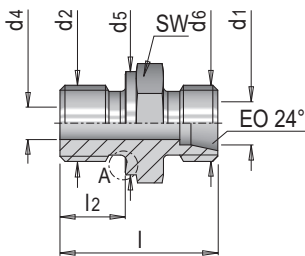
E 71009



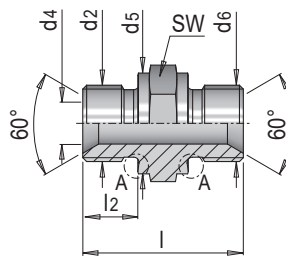
Einschraubstutzen gerade aus Edelstahl

Straight screw-in socket from stainless steel

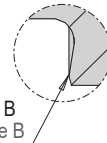
Typ / Type 24°



Typ / Type 60°



Detail A



Dichtkante Form B  
sealing edge type B

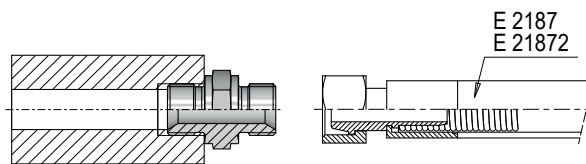
Mat.: 1.4571

t max = 400°C

Typ / Type	l	l2	d4	d5	SW	p max.	d6	d1	d2	Ausführung / Version	Nr. / No.
24°	29	12	6	19	19	315	M14x1.5	8	M14x1.5	L	E 71009/ 8/ 14/L
			7	18			G1/4"		E 71009/ 8/14/L		
	31.5	8	7	21	22		M16x1.5	10	M16x1.5		E 71009/10/ 16/L
			8	22			G3/8"		E 71009/10/3/8/L		
60°	25	8	5	14	14	400	G1/8"	-	G1/8"	-	E 71009/1/8/1/8
			7	18			19		G1/4"		G1/4"
	33	11	7	18	19		G1/4"	-	G1/4"		E 71009/1/4/1/4
			9	22			22		G3/8"		G3/8"

**ANWENDUNGSBEISPIEL - TEMPERIERUNG:**

EXAMPLE OF USE - TEMPERATURE REGULATION:



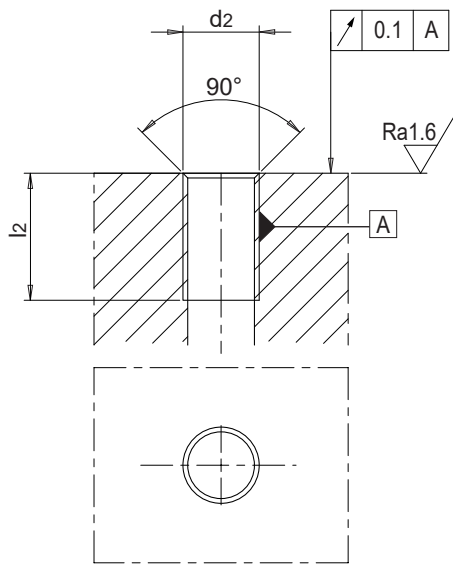
Thread	Part Number	Thread
M14x1,5	E 71009/ 8/ 14/L	M14x1,5
G1/4"	E 71009/ 8/14/L	
M16x1,5	E 71009/10/ 16/L	M16x1,5
G3/8"	E 71009/10/3/8/L	
G1/4"	E 71009/1/4/1/4	G1/4"
G3/8"	E 71009/3/8/3/8	G3/8"

Tipp: Wenn Sie zwei Edelstahl-Gewinde kombinieren, empfehlen wir Montagepaste VAP 1000 zu verwenden

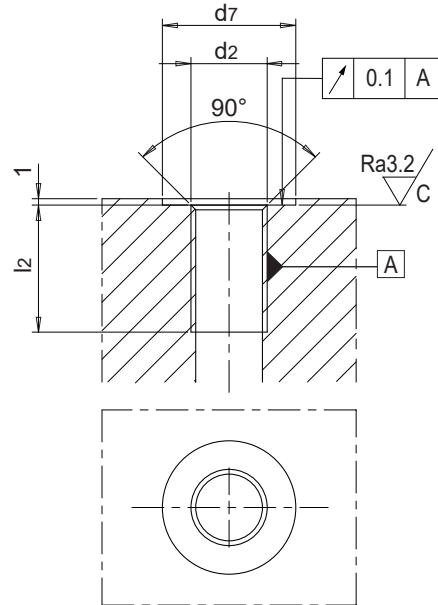
Tip: If you combine two stainless threads, we recommend using VAP 1000 Assembly paste



Einbauvariante 1  
Types of installation 1



Einbauvariante 2  
Types of installation 2



d2	d2 [mm]	l2 min.	d7
M14x1.5	14	12	20
M16x1.5	16	12	22
G1/8"	9.73	8	15
G1/4"	13.16	12	19
G3/8"	16.66	12	23