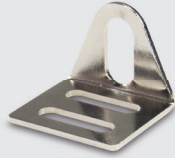
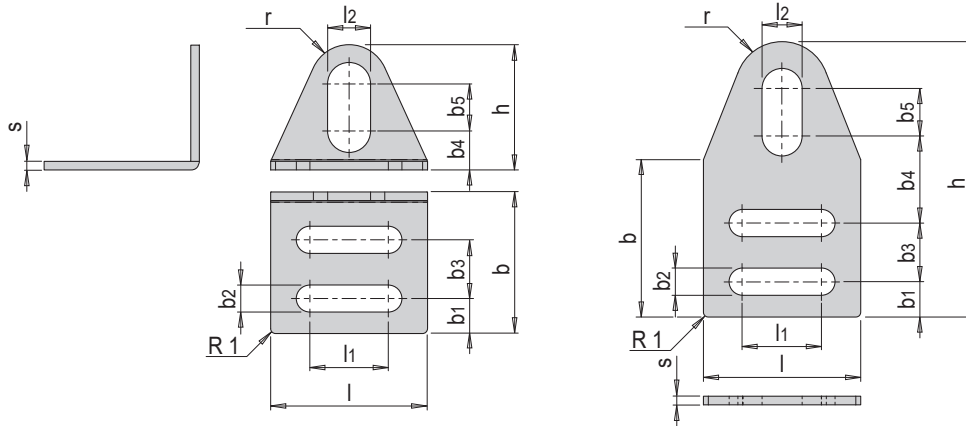


E 6594

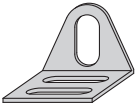



Halterung für Sensor

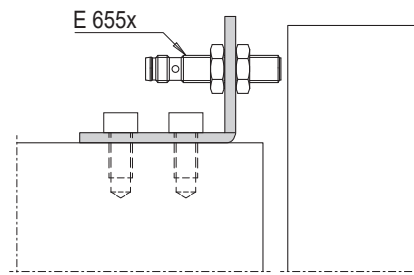
Mounting bracket for sensor



Mat.: Stahl vernickelt  
nickel-plated steel

Form / Shape <sup>1)</sup>		l	s	r	h	b1	l1	b2	b3	b4	b5	b	l2	Nr. / No.
A		31.8	1.8	7.95	25.4	7.1	15.9	5.5	11.9	7.9	9.5	28.7	8.7	E 6594/A/ 8
		38.1	1.8	12	38.6	7.9	19.1	5.5	14.3	13.9	12.7	34.8	12.8	E 6594/A/ 12
B		31.8	1.8	9.6	55.4	7.1	15.9	5.5	11.9	17.6	9.6	31.8	8.1	E 6594/B/ 8
		38.1	1.8	16	74.8	7.9	19.1	5.5	14.3	26.5	10.1	37.5	12.1	E 6594/B/ 12

1) Form: A = rechteckig / B = flach / Shape: A = right-angled / B = flat



**i** Größe 12 auch für den Logikverteiler E 65740 geeignet /  
Size 12 also suitable for the logic distributor E 65740