

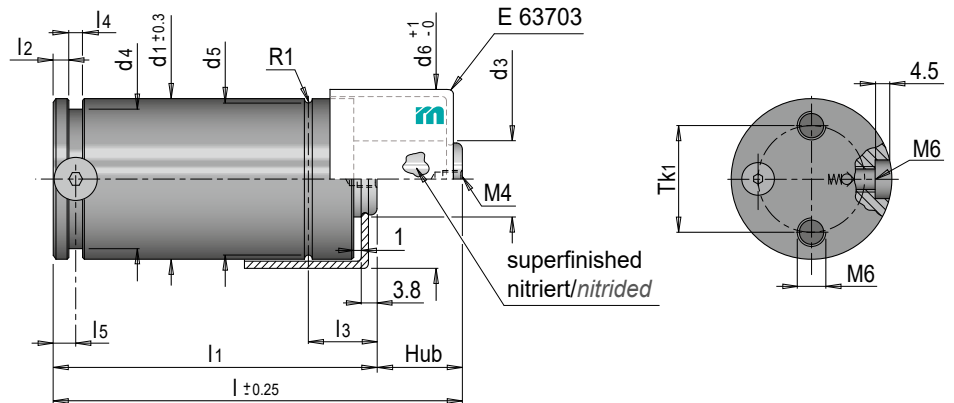
E 6370 740



Gasdruckfeder - Compact

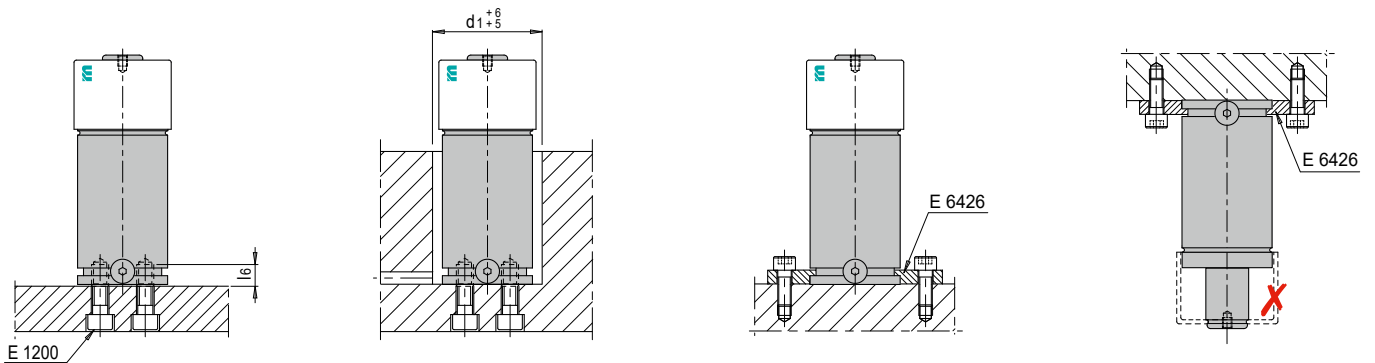
Gas spring - Compact

PED 2014/68/EU	
min. 0°C	max. 80°C
	S 4.91 cm ²
P min 20 bar	P max 150 bar
Δ P ±0.33%/°C	SPM ~ 50-100

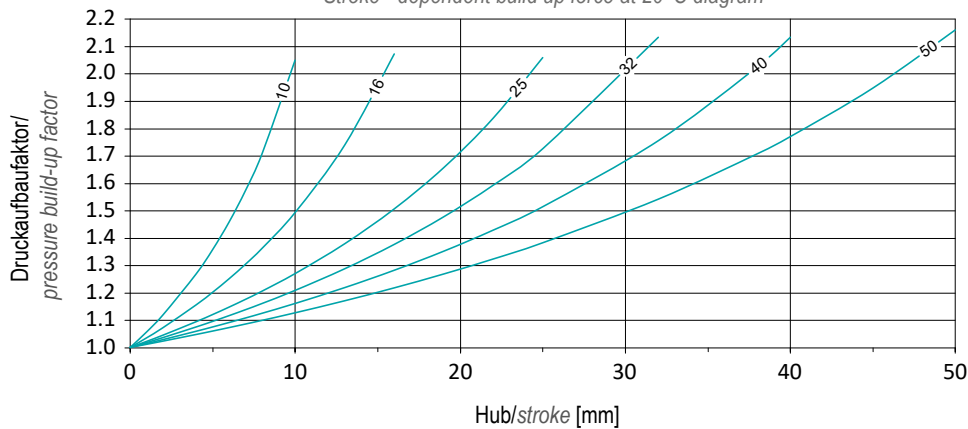


d3	d4	d5	d6	l	l1	l2	l3	l4	l5	l6	Tk1	P [bar] ¹⁾	F0 [daN] ²⁾	d1	Hub / Stroke ³⁾	Nr. / No.
13	27	30	35	63	57	4	11.5	3.5	6	8	15	150	740	32	6	E 6370 740/ 32/ 6
				75	65										10	E 6370 740/ 32/ 10
				93	77										16	E 6370 740/ 32/ 16
				120	95										25	E 6370 740/ 32/ 25

- 1) P [bar]: Fülldruck / P [bar]: Filling pressure
- 2) F0 [daN]: Anfangskraft (1 daN ≈ 1,02 kg) / F0 [daN]: Initial force (1 daN ≈ 1.02 kg)
- 3) Hub: Maximaler Hub / Hub: Maximum stroke



Hubabhängiges Kraftaufbaudiagramm bei 20°C/
Stroke - dependent build up force at 20°C diagram



Reparatur möglich / Repair is possible