

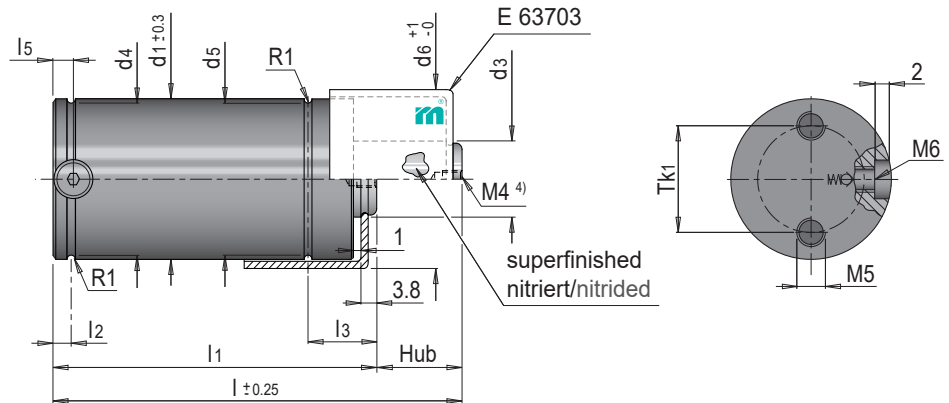
E 6370 425



Gasdruckfeder - Compact

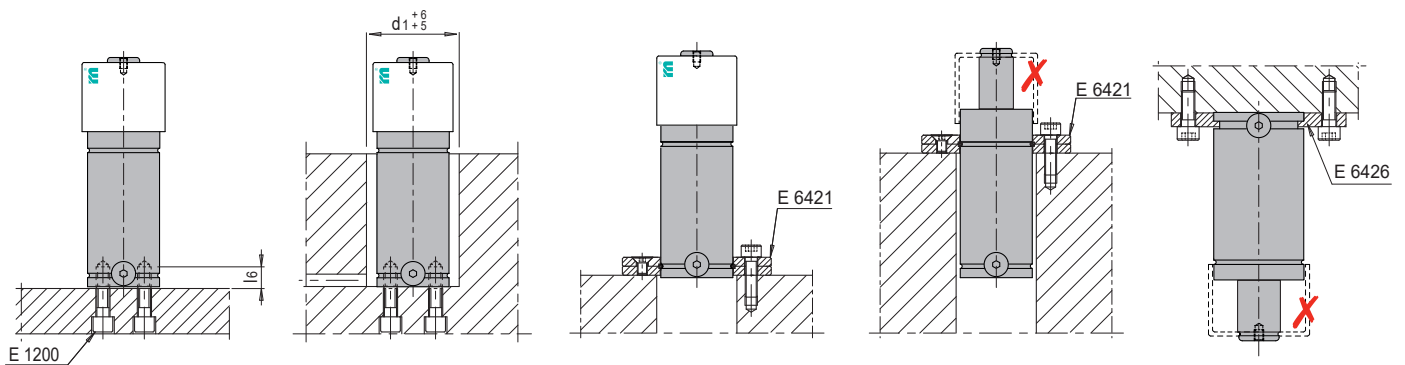
Gas spring - Compact

PED 2014/68/EU		S 2.84 cm ²
min. 0°C	max. 80°C	max. 0.8 m/s
P min 20 bar	P max 150 bar	Δ P ±0.33%/°C
		SPM ~ 50-100

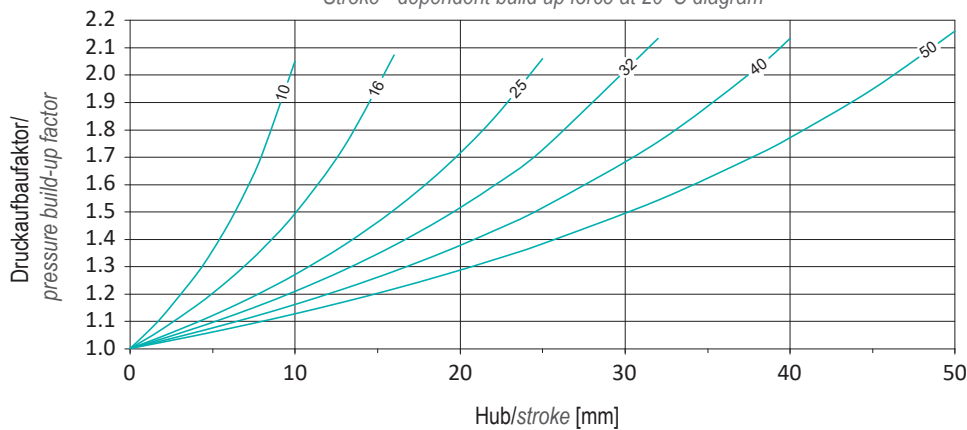


d3	d4	d5	d6	l	l1	l2	l3	l5	l6	Tk1	P (bar) ¹⁾	F0 [daN] ²⁾	d1	Hub / Stroke ³⁾	Nr. / No.
10	23	23	28	70	60	5	13.5	6	7	14	150	425	25	10	E 6370 425/ 25/ 10
				91	75									16	E 6370 425/ 25/ 16
				120	95									25	E 6370 425/ 25/ 25
				140	108									32	E 6370 425/ 25/ 32
				165	125									40	E 6370 425/ 25/ 40
				195	145									50	E 6370 425/ 25/ 50

- 1) P (bar): Fülldruck / P (bar): Filling pressure
- 2) F0 [daN]: Anfangskraft (1 daN ≈ 1.02 kg) / F0 [daN]: Initial force (1 daN ≈ 1.02 kg)
- 3) Hub: Maximaler Hub / Hub: Maximum stroke
- 4) M4: nicht bei Hub 10 / M4: not for stroke 10



Hubabhängiges Kraftaufbaudiagramm bei 20°C /
Stroke - dependent build up force at 20°C diagram



Keine Reparatur möglich / Repair is not possible