

E 6370 1885



Gasdruckfeder - Compact

Gas spring - Compact

PED
2014/68/EU

N₂

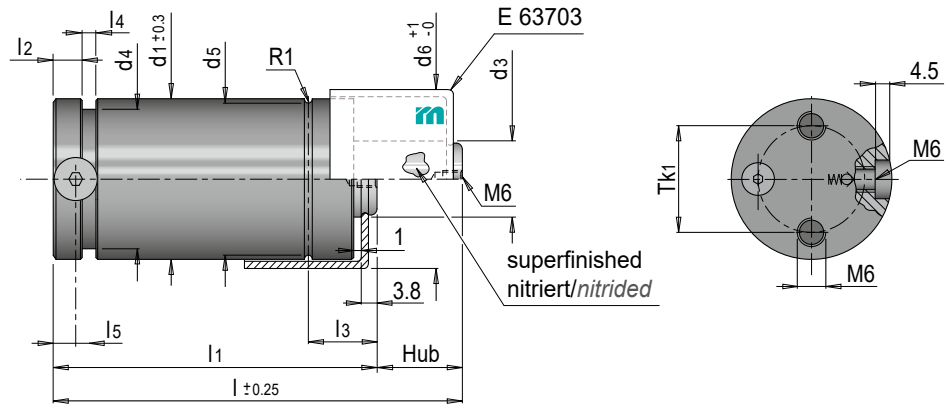
Stroke ≥ 10

min. 0°C max. 80°C

max. 0.8 m/s

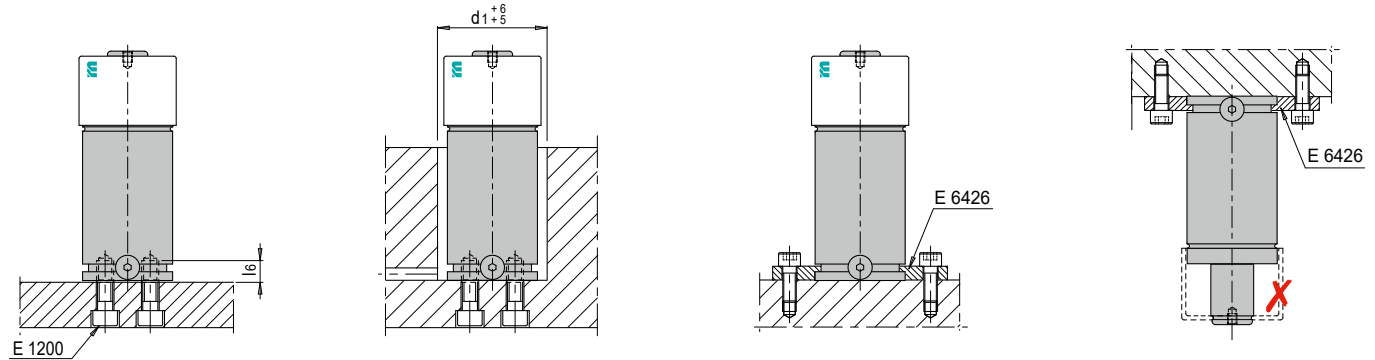
S
12.57 cm²

P min 20 bar **P max** 150 bar ΔP $\pm 0.33\%/^{\circ}\text{C}$ **SPM** ~ 50-100

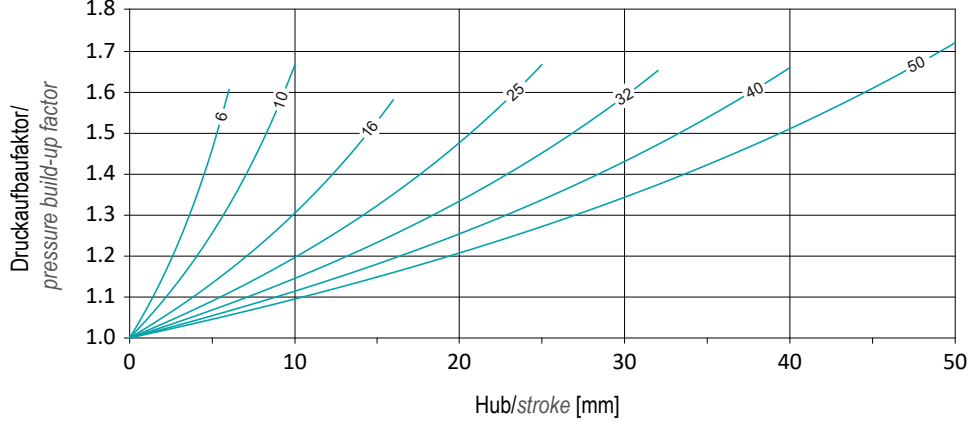


d3	d4	d5	d6	l	l1	l2	l3	l4	l5	l6	Tk1	P [bar] ¹⁾	F0 [daN] ²⁾	d1	Hub / Stroke ³⁾	Nr. / No.
25	43	48	53	66	60	8	14.5	5	6	8	26	150	1885	50	6	E 6370 1885/ 50/ 6
				80	70										10	E 6370 1885/ 50/ 10
				106	90										16	E 6370 1885/ 50/ 16
				135	110										25	E 6370 1885/ 50/ 25
				162	130										32	E 6370 1885/ 50/ 32
				190	150										40	E 6370 1885/ 50/ 40
				220	170										50	E 6370 1885/ 50/ 50

- 1) P [bar]: Fülldruck / P [bar]: Filling pressure
- 2) F0 [daN]: Anfangskraft (1 daN \approx 1,02 kg) / F0 [daN]: Initial force (1 daN \approx 1.02 kg)
- 3) Hub: Maximaler Hub / Hub: Maximum stroke



Hubabhängiges Kraftaufbaudiagramm bei 20°C/
Stroke - dependent build up force at 20°C diagram



Reparatur möglich / Repair is possible