

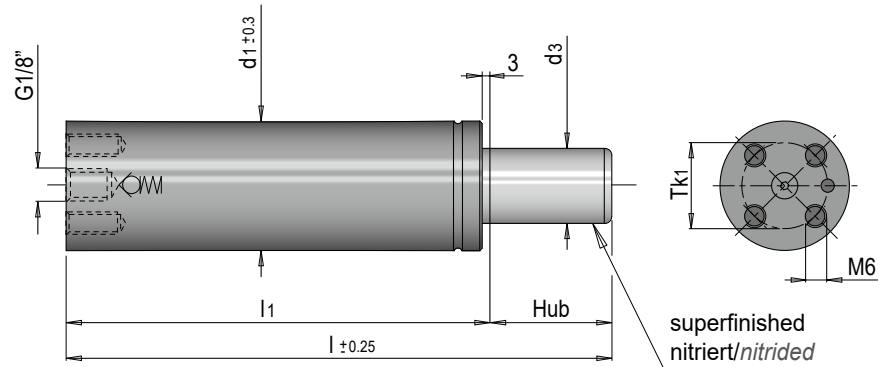
E 6360 1925



Gasdruckfeder - Force extreme

Gas spring - Force extreme

PED 2014/68/EU	
min. 0°C	max. 80°C
	S 9.62 cm ²
P min 20 bar	P max 200 bar
Δ P ±0.33%/°C	SPM ~ 40-80

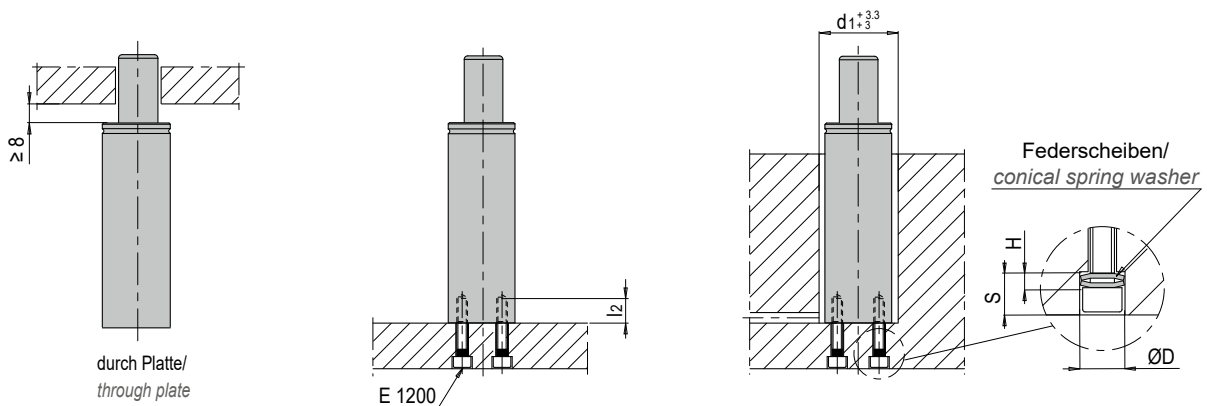


d3	l	l1	l2	Tk1	P [bar] ¹⁾	F0 [daN] ²⁾	d1	Hub / Stroke ³⁾	Nr. / No.
35	95	80	8	26	200	1925	50	15	E 6360 1925/ 50/ 15
	115	90						25	E 6360 1925/ 50/ 25
	150	112						38	E 6360 1925/ 50/ 38
	175	125						50	E 6360 1925/ 50/ 50
	205	142						63	E 6360 1925/ 50/ 63

1) P (bar): Fülldruck / P (bar): Filling pressure

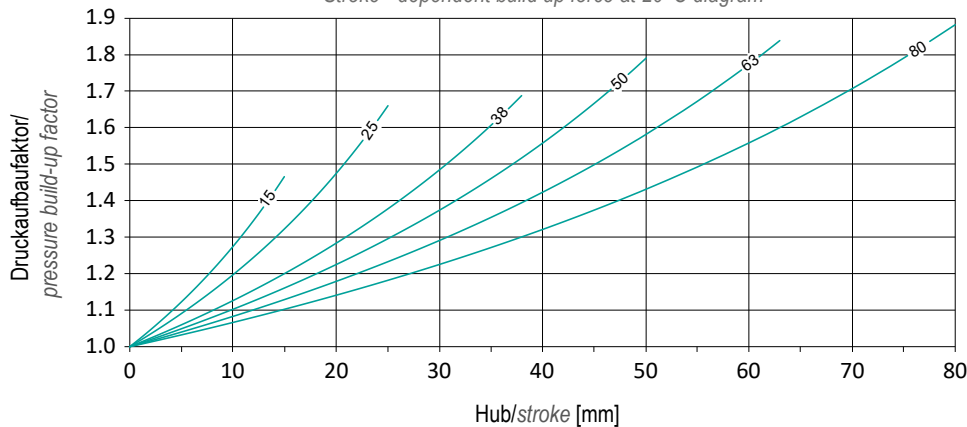
2) F0 [daN]: Anfangskraft (1 daN ≈ 1,02 kg) / F0 [daN]: Initial force (1 daN ≈ 1.02 kg)

3) Hub: Maximaler Hub / Hub: Maximum stroke



Type	D	ØD	S	H
E 6360 980	M6	10.5	9.5	3.2
E 6360 1925				
E 6360 3180				
E 6360 4925	M8	18.5	12	4

Hubabhängiges Kraftaufbaudiagramm bei 20°C /
Stroke - dependent build up force at 20°C diagram



Reparatur möglich / Repair is possible