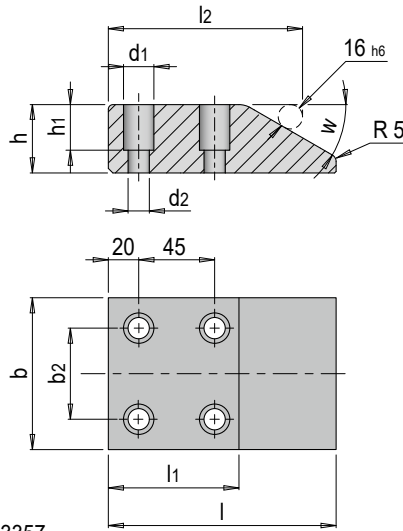


E 6140 ST



Überlaufkeil Stahl, VDI 3357

Cam dwell wear plate, steel, VDI 3357



Mat.: 1.7131

≈ 59 HRC

VDI 3357

W	d1	h1	l1	b2	d2	l2	b	l	h	Nr. / No.				
30°	20	30	90	60	13.5	127.86	100	150	45	E 6140ST/100x150/45				
20°						143.37				E 6140ST/100x170/45				
30°		127.86				E 6140ST/100x170/60								
20°	30	45		85		60	13.5	127.86	125	150	45	E 6140ST/125x150/45		
												30°	143.37	E 6140ST/125x170/45
												30°	127.86	E 6140ST/125x170/60

