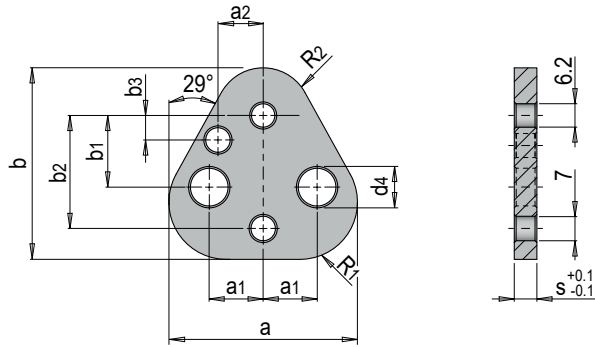


E 5830



Druckplatte dreieckig

Triangular wear plate



Mat.: 1.1645 ≈ 58 HRC (Härtetiefe: 1mm / depth of hardness: 1mm)

a	b	a1	b1	R1	a2	b2	R2	b3	d4	s	d1	Nr. / No.
43.7	44.5	11,1	19	12	9	26.925	9.5	7.5	10	6	10	E 5830/6 /10
50	50.8	14,3		15.2	12	29.97	12.7	6.5			13	E 5830/6 /13
53.2	54	15,9		16.8	13.5	31.75	14.3	6			16	E 5830/6 /16
59.5	60.3	17,5		20	16.5	33.53	17.5	5			20	E 5830/6 /20
69.1	69.9	19,8	23.8	24.7	22	40.64	22.2	7	14		25	E 5830/6 /25
												32

