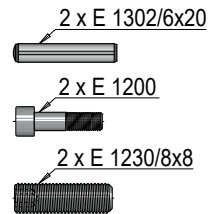
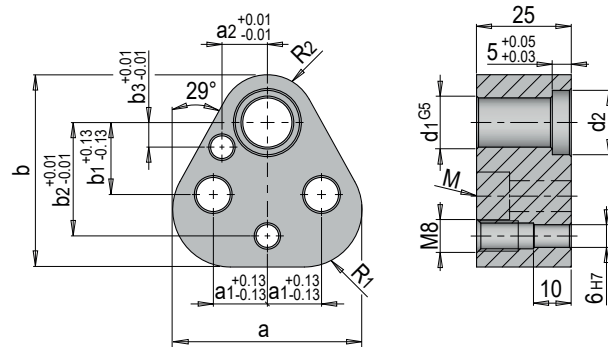


E 5800



Stempelhalteplatte dreieckig für ISO 8020

Triangular punch retainer plate for ISO 8020



Mat.: 1.6523      ≈ 40HRC

a	b	a1	b1	a2	R1	b2	d2	R2	b3	M	d1	Nr. / No.	
43.7	44.5	11,1	19	9	12	26.925	14	9.5	7.5	M 8 x 35	10	E 5800/10	
50	50.8	14,3		12	15.2	29.970	17	12.7	6.5		13	E 5800/13	
53.2	54	15,9		13.5	16.8	31.750	20	14.3	6		16	E 5800/16	
59.5	60.3	17,5		16.5	20	33.530	24	17.5	5		M10 x 40	20	E 5800/20
69.1	69.9	19,8	23.8	22	24.7	40.640	29	22.2	7	M12 x 40		25	E 5800/25
												36	32

