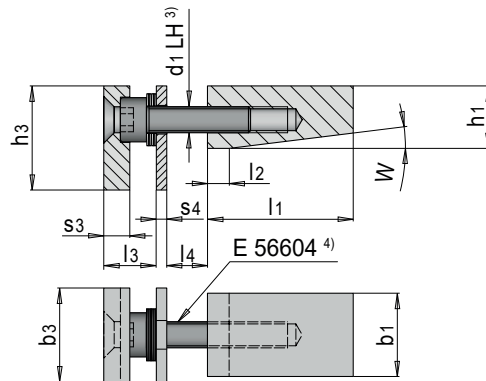


E 5660



Verstelleinheit

Adjustment unit



Mat.: 1.2379 ≈ 60 HRC

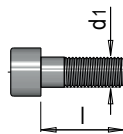
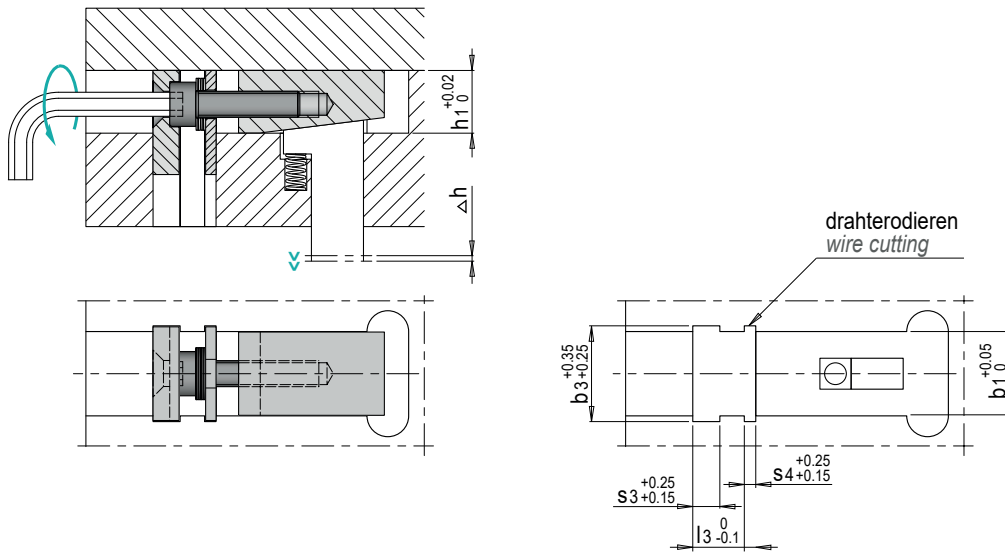
| $\Delta h^{1)}$ | l2 | b3 | h3 | l3 | s3 | l4 | l4 [U] ²⁾ | s4 | d1 | h1 | b1 | l1 | W | Nr./No. |
|-----------------|----|----|----|-----|----|--------|----------------------|----|----------|----|----|----|------|-------------------|
| 0.05 | 4 | 10 | 15 | 8.7 | 4 | 0.35-7 | 1/2-10 | 1 | M 4 x 14 | 8 | 8 | 18 | 4° | E 5660/ 8/18/ 4 |
| 0.1 | | | | | | | | | | | | | 8° | E 5660/ 8/18/ 8 |
| 0.05 | | 18 | 20 | 9.9 | 5 | 0.4 -8 | | 2 | M 5 x 20 | 12 | 16 | 28 | 3.5° | E 5660/16/28/ 3,5 |
| 0.1 | | | | | | | | | | | | | 7° | E 5660/16/28/ 7 |

1) Δh : mm pro Umdrehung / Δh : mm per revolution

2) U: Umdrehungen / U: Revolutions

3) LH: Linksgewinde / LH: Left-hand thread

4) E 56604: Schrauben für weitere Einbauvarianten / E 56604: Screws for additional installation types



| Nr./No. | l4 [mm] | d1 | l |
|----------------|---------|----|----|
| E 56604/4 x 20 | 6 - 13 | M4 | 20 |
| E 56604/4 x 30 | 16 - 23 | | 30 |
| E 56604/5 x 30 | 10 - 18 | M5 | 30 |
| E 56604/5 x 40 | 20 - 28 | | 40 |