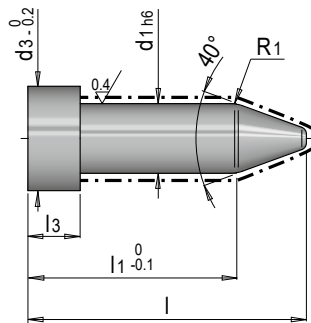


**E 5650 AlCrN**



**Sucherstift mit zylindrischem Kopf, AlCrN-beschichtet**

*Pilot pin with cylindrical head, AlCrN coated*

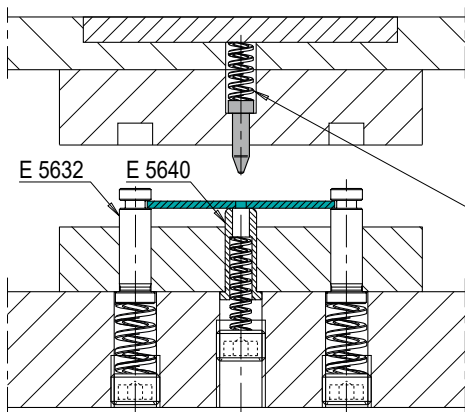


Mat.: 1.3343      ≈ 64 HRC

AlCrN beschichtet  
coated

R1	d3	l	l3	d1	l1	Nr. / No.
1.5	5	15.5	2	3	12	E 5650 AlCrN/ 3 x 12
		19.5			16	E 5650 AlCrN/ 3 x 16
		23.5			20	E 5650 AlCrN/ 3 x 20
		33.5			30	E 5650 AlCrN/ 3 x 30
		63.5			60	E 5650 AlCrN/ 3 x 60
		73.5			70	E 5650 AlCrN/ 3 x 70
2	6	16	3	4	12	E 5650 AlCrN/ 4 x 12
		20			16	E 5650 AlCrN/ 4 x 16
		24			20	E 5650 AlCrN/ 4 x 20
		29			25	E 5650 AlCrN/ 4 x 25
		34			30	E 5650 AlCrN/ 4 x 30
		74			70	E 5650 AlCrN/ 4 x 70
2.5	7	21	4	5	16	E 5650 AlCrN/ 5 x 16
		25			20	E 5650 AlCrN/ 5 x 20
		30			25	E 5650 AlCrN/ 5 x 25
		35			30	E 5650 AlCrN/ 5 x 30
		75			70	E 5650 AlCrN/ 5 x 70
		75			70	E 5650 AlCrN/ 5 x 70
3	8	25	4	6	20	E 5650 AlCrN/ 6 x 20
		30			25	E 5650 AlCrN/ 6 x 25
		35			30	E 5650 AlCrN/ 6 x 30
		75			70	E 5650 AlCrN/ 6 x 70
		75			70	E 5650 AlCrN/ 6 x 70
		75			70	E 5650 AlCrN/ 6 x 70
4	10	27	4	8	20	E 5650 AlCrN/ 8 x 20
		32			25	E 5650 AlCrN/ 8 x 25
		37			30	E 5650 AlCrN/ 8 x 30
		47			40	E 5650 AlCrN/ 8 x 40
		87			80	E 5650 AlCrN/ 8 x 80
		87			80	E 5650 AlCrN/ 8 x 80
5	16	33	5	10	25	E 5650 AlCrN/10 x 25
		38			30	E 5650 AlCrN/10 x 30
		48			40	E 5650 AlCrN/10 x 40
		88			80	E 5650 AlCrN/10 x 80
		88			80	E 5650 AlCrN/10 x 80
		88			80	E 5650 AlCrN/10 x 80

AlCrN Beschichtung / AlCrN coating	
Marke / Brand	Balinit® ALCRONA PRO
Beschichtungsverfahren / Coating procedure	PVD
Schichtfarbe / Coating colour	hellgrau / light gray
Schichthärte / Coating hardness	H <sub>T</sub> 36 ± 3G Pa ≈ 3200 HV
Reibungskoeffizient / Coefficient of friction	≈ 0.35
Schichtdicke / Coating thickness	≈ 2.5



- E 1536
- E 1537
- E 1538
- E 1539
- E 1541
- E 1542
- E 1543
- E 1544
- E 1545

