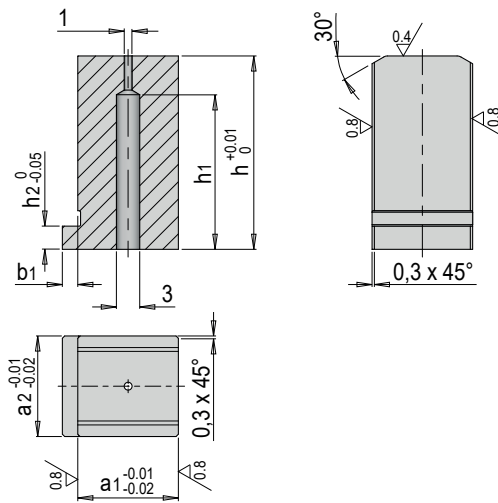


E 5644



Streifenheber eckig, gefedert

Block-shaped strip lifter, spring-loaded



Mat.: 1.2379 ≈ 60 HRC

a2	b1	h1	h2	a1	h	Nr. / No.
13	2	11	3	13	16	E 5644/13/16
		15			20	E 5644/13/20
		20			25	E 5644/13/25
		23			28	E 5644/13/28
17	2.5	15	3.5	17	20	E 5644/17/20
		20			25	E 5644/17/25
		23			28	E 5644/17/28
		27			32	E 5644/17/32
21	3	20	4.5	21	25	E 5644/21/25
		23			28	E 5644/21/28
		27			32	E 5644/21/32
		35			40	E 5644/21/40

