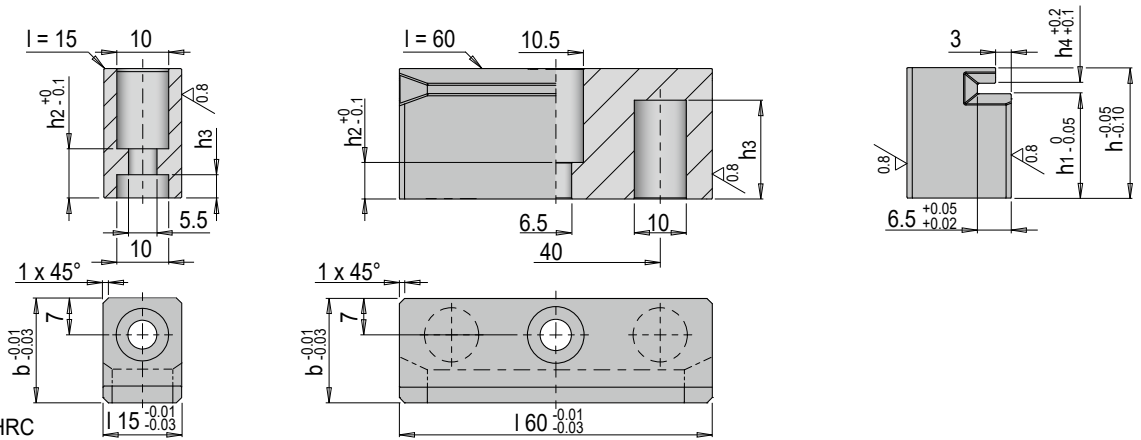


E 5634



Streifenführung eckig, gefedert

Block-shaped strip guide, spring-loaded

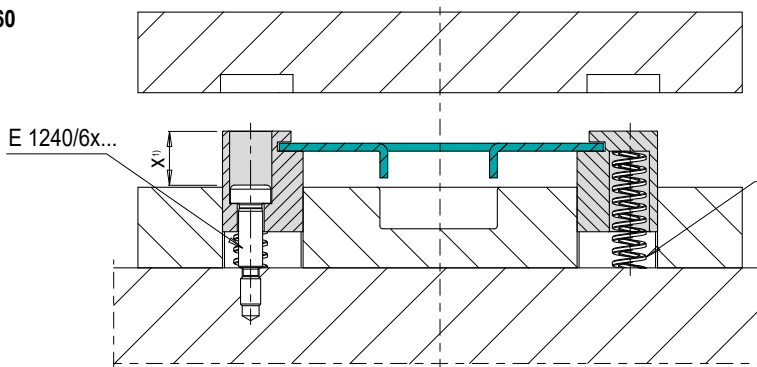


Mat.: 1.2379 ≈ 60 HRC

x ¹⁾	h	h2	h3	b	h1	l	h4	Nr. / No.
11	24	8.5	3.5	20	20	15	1	E 5634/20 x 20/15/1
	25	9.5	4.5		2		E 5634/20 x 20/15/2	
	30	14.5	9.5		3		E 5634/20 x 25/15/3	
	31	15.5	10.5		3		E 5634/20 x 25/15/3	
	38	22.5	17.5		3		E 5634/20 x 32/15/3	
13	24	6	20	20	60	1	E 5634/20 x 20/60/1	
	25	7	2			E 5634/20 x 20/60/2		
	26	8	3			E 5634/20 x 20/60/3		
	29	7.5	24			1	E 5634/20 x 25/60/1	
16.5	30	8.5	25	25	60	2	E 5634/20 x 25/60/2	
	31	9.5				3	E 5634/20 x 25/60/3	
	36	10				32	1	E 5634/20 x 32/60/1
21	37	11	32	32	60	2	E 5634/20 x 32/60/2	
	38	12				3	E 5634/20 x 32/60/3	

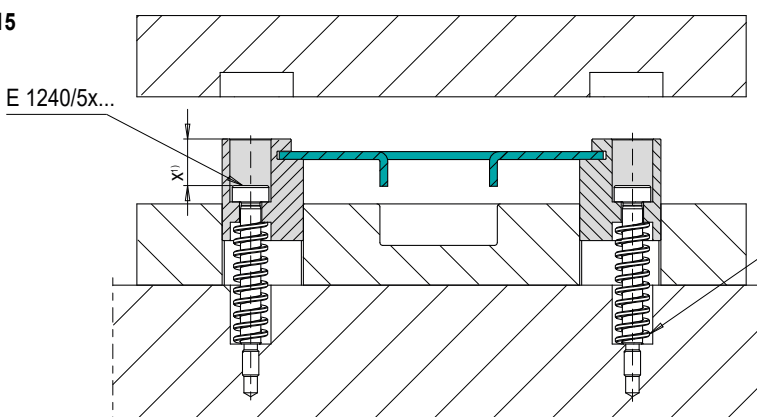
1) x: maximaler Hub bedingt durch Tiefe der Bohrung für den Schraubenkopf / x: maximum stroke determined by the depth of the hole for the screw head

l = 60



- E 15365/10x...
- E 15375/10x...
- E 15385/10x...
- E 1541/10x...
- E 1542/10x...
- E 1543/10x...
- E 1544/10x...
- E 1545/10x...

l = 15



- E 15365/10x...
- E 15375/10x...
- E 15385/10x...
- E 1541/10x...
- E 1542/10x...
- E 1543/10x...
- E 1544/10x...
- E 1545/10x...