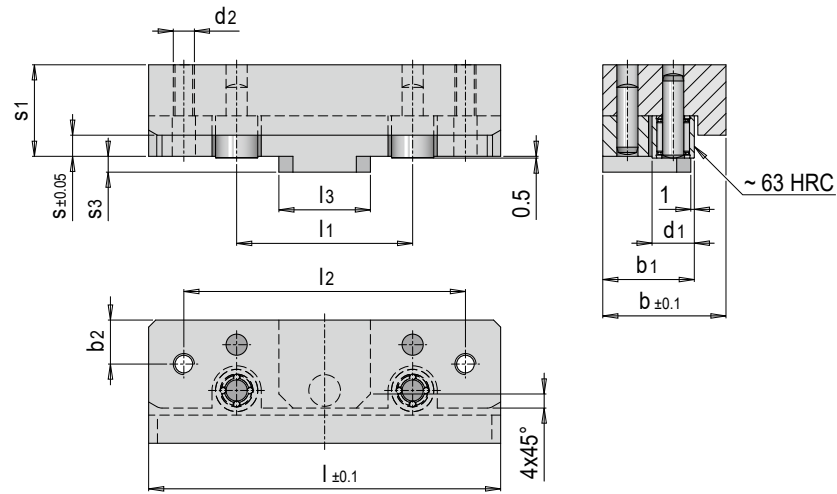


E 5624



Führung, starr

Guiding unit, fixed bearing



Mat.: 1.1730 $\approx 640 \text{ N/mm}^2$

l3	s3	b2	d2	l2	b1	d1	l1	s1	b	l	s	Nr. / No.
26	5	12.5	M 6	80	26	12	50	24	31.75	100	4	E 5624/100/ 4
								26			6	E 5624/100/ 6
								30			10	E 5624/100/10

