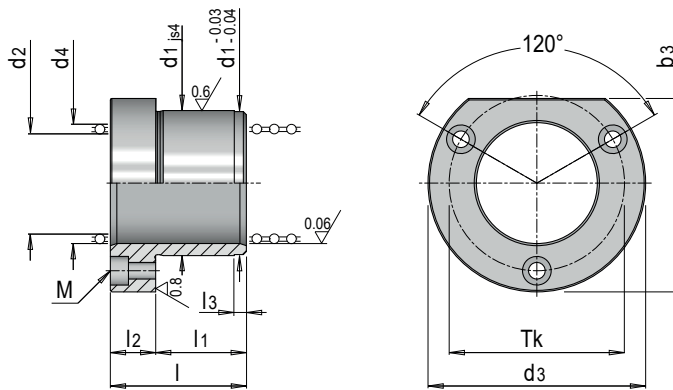


E 5160



Kugelführungsbuchse mit Flansch

Ball guiding bush with flange



Mat.: 1.3505 ≈ 62 HRC

≈ ISO 9448 (DIN 9831)

b3	d1	d3	d4	Tk	l	l3	M	d2	l1	l2	Nr. / No.									
43	32	50	26	40	33	3	M 4	20	23	10	E 5160/20 x 23/10									
					38					15	E 5160/20 x 23/15									
					45					30	E 5160/20 x 30/15									
					55						40	E 5160/20 x 40/15								
54.5	40	63	31	50	33	3	M 5	25	23	10	E 5160/25 x 23/10									
					38					15	E 5160/25 x 23/15									
					45					30	E 5160/25 x 30/15									
					55						25	E 5160/25 x 30/25								
64	48	72	40	58	45	4	M 5	32	30	15	E 5160/25 x 40/15									
					60					25	E 5160/32 x 30/15									
					75.5					58	85	48	70	55	5	M 6	40	30	25	E 5160/32 x 35/25
														65					30	E 5160/40 x 30/25
90	70	104	58	86	60	6	M 8	50	35	25	E 5160/40 x 35/30									
					75					30	E 5160/40 x 45/30									
					87					45	E 5160/40 x 45/30									
					97					42	E 5160/50 x 35/25									
106	85	120	71	100	87	6	M 8	63	45	42	E 5160/50 x 45/42									
					55					E 5160/50 x 55/42										
					55					E 5160/50 x 55/42										
					42					E 5160/63 x 45/42										

