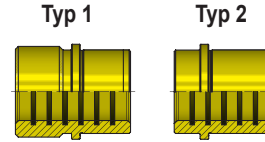
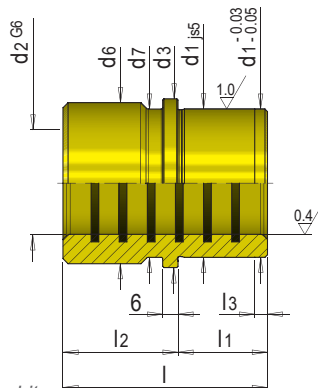


## E 5126



### Gleitführungsbuchse mit Festschmierstoffringen und Bund

Sliding guide bush with solid lubricant rings and collar



Mat.: 2.0598

≈ 200 HB / Graphit/graphite

3.2

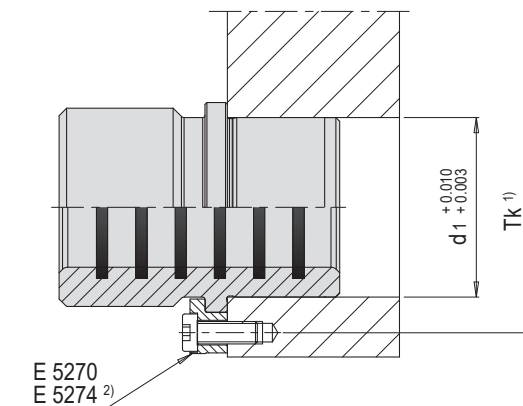
≈ ISO 9448 (DIN 9831)

t max. = 200°C

Typ / Type	d1	d3	d6	d7	Tk <sup>1)</sup>	E 5270/.. /..	l	l3	d2	l1	l2	Nr. / No.	d2	Nr. / No.
2	32	40	-	32	52	E 5270/ 6/ 6	32	3	19	20	12	E 5126/19 x 20/12	20	E 5126/20 x 20/12
1			39				40				20	E 5126/19 x 20/20		E 5126/20 x 20/20
2							56				36	E 5126/19 x 20/36		E 5126/20 x 20/36
1	40	48	-	40	60	E 5270/ 6/ 6	35	3	24	23	12	E 5126/24 x 23/12	25	E 5126/25 x 23/12
2			46				59				36	E 5126/24 x 23/36		E 5126/25 x 23/36
1							55				-			E 5126/25 x 30/25
2							80		24	30	25			E 5126/25 x 30/50
1	48	56	-	48	67	E 5270/ 6/ 6	42	4	30	30	12	E 5126/24 x 30/50	32	E 5126/25 x 30/50
2							75				45	E 5126/30 x 30/12		E 5126/32 x 30/12
1			53				57			35	22	E 5126/30 x 30/45		E 5126/32 x 30/45
2							67				-			E 5126/32 x 35/22
1			53				91				32			E 5126/32 x 35/32
2							61		30		56	E 5126/30 x 35/56		E 5126/32 x 35/56
1	58	66	-	58	77	E 5270/ 6/ 6	50	5	38	35	15	E 5126/30 x 35/15	40	E 5126/32 x 35/15
2							80				45	E 5126/38 x 35/45		E 5126/40 x 35/15
1			63				69			45	24			E 5126/40 x 35/45
2							77				32			E 5126/40 x 45/24
1			63				108				32			E 5126/40 x 45/32
2							125		38		80	E 5126/38 x 45/80		E 5126/40 x 45/63
1	70	80	-	71	91	E 5270/ 6/ 6	63	6	-	45	18		50	E 5126/40 x 45/80
2				70			95				50			E 5126/50 x 45/18
1			77				91			55	36			E 5126/50 x 45/50
2							126				71			E 5126/50 x 55/36
1							145				90			E 5126/50 x 55/71
2	85	95	-	86	110	E 5270/ 8/ 6	75	6	-	55	20		63	E 5126/50 x 55/90
1			92	85			111				56			E 5126/63 x 55/20
							145				90			E 5126/63 x 55/56
														E 5126/63 x 55/90

1) Tk: Teilkreis Gewinde / Tk: pitch diameter threads

2) E 5274: bis d2 = 50 erhältlich / E 5274: available up to d2 = 50



**i** Initialschmierung mit VGM 160  
Initial lubrication with VGM 160