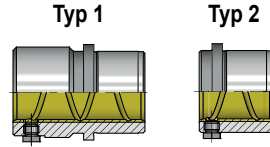
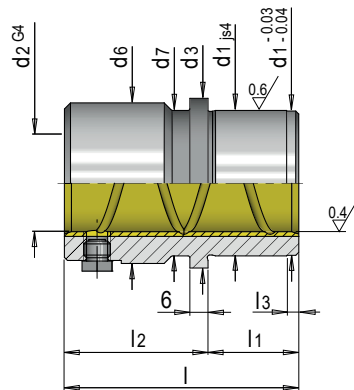


E 5120



Gleitführungsbuchse bronzebeschichtet mit Bund

Sliding guide bush bronze coated with collar



3.2

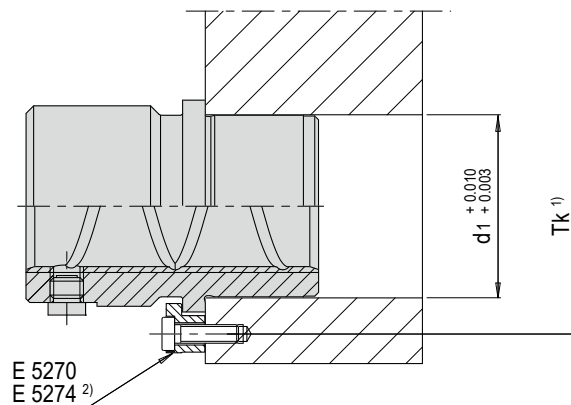
≈ ISO 9448 (DIN 9831)

Mat.: 1.1186 ≈ 50 HRC / CuSn12

Typ / Type	d1	d3	d6	d7	Tk ¹⁾	E 5270/./..	l	l3	d2	l1	l2	Nr. / No.	d2	Nr. / No.
2	32	40	-	32	52	E 5270/ 6/ 6	32	3	19	20	12	E 5120/19 x 20/12	20	E 5120/20 x 20/12
1			39				40				20	E 5120/19 x 20/20		E 5120/20 x 20/20
2	40	48	-	40	60	E 5270/ 6/ 6	56				36	E 5120/19 x 20/36		E 5120/20 x 20/36
1			46				35	3	24	23	12	E 5120/24 x 23/12	25	E 5120/25 x 23/12
							59				36	E 5120/24 x 23/36		E 5120/25 x 23/36
							55				25	E 5120/24 x 30/25		E 5120/25 x 30/25
							80				50	E 5120/24 x 30/50		E 5120/25 x 30/50
2	48	56	-	48	67	E 5270/ 6/ 6	42	4	30	30	12	E 5120/30 x 30/12	32	E 5120/32 x 30/12
1			53				75				45	E 5120/30 x 30/45		E 5120/32 x 30/45
2			-				57			35	22	E 5120/30 x 35/22		E 5120/32 x 35/22
1			53				67				32	E 5120/30 x 35/32		E 5120/32 x 35/32
							91				56	E 5120/30 x 35/56		E 5120/32 x 35/56
2	58	66	-	58	77	E 5270/ 6/ 6	50	5	38	35	15	E 5120/38 x 35/15	40	E 5120/40 x 35/15
1			63				80				45	E 5120/38 x 35/45		E 5120/40 x 35/45
2			-				69			45	24	E 5120/38 x 45/24		E 5120/40 x 45/24
1			63				77				32	E 5120/38 x 45/32		E 5120/40 x 45/32
							108				63	E 5120/38 x 45/63		E 5120/40 x 45/63
							125				80	E 5120/38 x 45/80		E 5120/40 x 45/80
2	70	80	-	71	91	E 5270/ 6/ 6	63	6	-	45	18		50	E 5120/50 x 45/18
1			77	70			95				50			E 5120/50 x 45/50
							91			55	36			E 5120/50 x 55/36
							126				71			E 5120/50 x 55/71
							145				90			E 5120/50 x 55/90
2	85	95	-	86	110	E 5270/ 8/ 6	75	6	-	55	20		63	E 5120/63 x 55/20
1			92	85			111				56			E 5120/63 x 55/56
							145				90			E 5120/63 x 55/90
2	105	118	-	106	133	E 5270/ 8/ 6	80	6	-	60	20		80	E 5120/80 x 60/20
1			115	105			116				56			E 5120/80 x 60/56
							150				90			E 5120/80 x 60/90

1) Tk: Teilkreis Gewinde / Tk: pitch diameter threads

2) E 5274: bis d2 = 50 erhältlich / E 5274: available up to d2 = 50



i Standardschmierung mit VGS 180
Standard lubrication with VGS 180