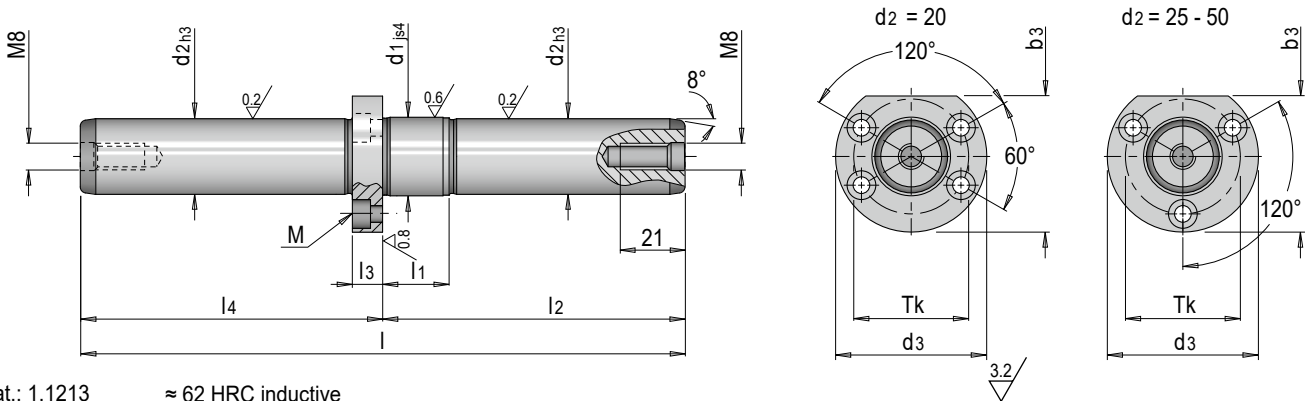


E 5080



## Führungssäule mit Mittenflansch

Guide pillar with centre flange



Mat.: 1.1213  $\approx 62$  HRC inductive

b3	d1	d3	Tk	l	l1	l3	M	d2	l4	l2	Nr. / No.								
39	22	44	33	130	22	10	M 5	20	70	60	E 5080/20 x 70/ 60								
				140						70	E 5080/20 x 70/ 70								
				150						80	E 5080/20 x 70/ 80								
				160						90	E 5080/20 x 70/ 90								
				180						90	E 5080/20 x 90/ 90								
				200						110	E 5080/20 x 110/ 90								
45	26	50	38	130	22	10	M 5	25	70	60	E 5080/25 x 70/ 60								
				140						70	E 5080/25 x 70/ 70								
				170						90	E 5080/25 x 80/ 90								
				180						100	E 5080/25 x 80/100								
				180						110	E 5080/25 x 80/110								
				200						90	E 5080/25 x 90/ 90								
				210					110	E 5080/25 x 90/110									
				190					100	90	E 5080/25 x 100/ 90								
				200						100	E 5080/25 x 100/100								
				220						120	E 5080/25 x 100/120								
				260						160	E 5080/25 x 100/160								
				55					34	60	48	180	27	10	M 5	32	80	100	E 5080/25 x 120/100
												190						100	E 5080/32 x 80/100
												200						110	E 5080/32 x 90/100
220	100	120	E 5080/32 x 90/110																
220		120	E 5080/32 x 100/120																
260		160	E 5080/32 x 100/160																
65	42	70	56		220	27	12	M 6				40					110	110	E 5080/32 x 100/160
					220													110	E 5080/32 x 110/110
					240													120	E 5080/32 x 110/120
					250													140	E 5080/32 x 110/140
					240												120	120	E 5080/32 x 130/120
					250													130	E 5080/32 x 130/130
				270	130				E 5080/32 x 130/130										
				270	110				E 5080/40 x 100/110										
75	52	80	66	210	36	15	M 6	50	130	120	E 5080/40 x 100/120								
				220						130	E 5080/40 x 110/130								
				250					150	140	E 5080/40 x 120/120								
				270						120	E 5080/40 x 120/130								
75	52	80	66	250	36	15	M 6	50	130	120	E 5080/40 x 140/130								
				260						110	E 5080/50 x 130/120								
				270						120	E 5080/50 x 150/110								
											E 5080/50 x 150/120								



