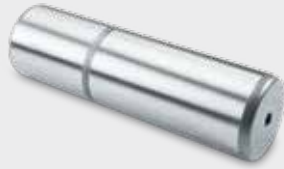
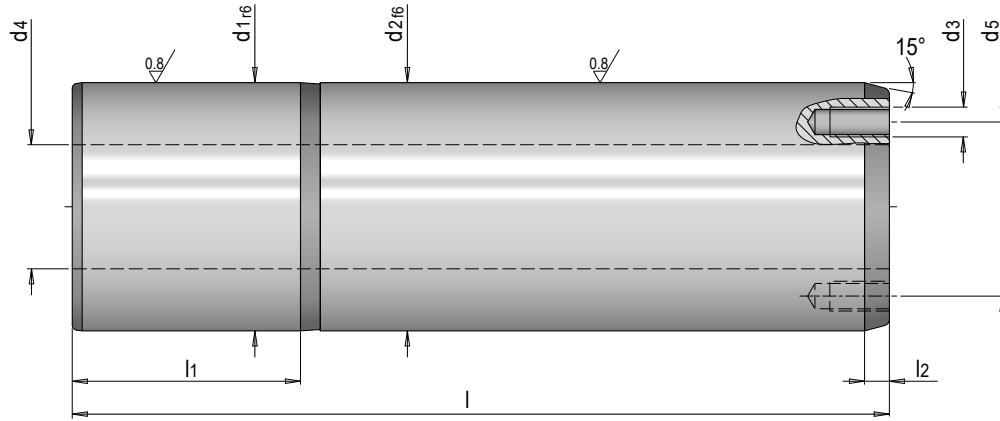


E 5040



Führungssäule glatt, für Großwerkzeuge

Guide pillar, plain, for large dies



Mat.: 1.7131

≈ 62 HRC

nur für E 5130, E 5132 und E 5156 geeignet  
only suitable for E 5130, E 5132 and E 5156

3.2

ISO 9182-3 (DIN 9833)

| d1  | l1  | l2 | d3    | d4 | d5 | d2  | l   | Nr. / No.        |
|-----|-----|----|-------|----|----|-----|-----|------------------|
| 40  | 56  | 8  | -     | -  | -  | 40  | 200 | E 5040/ 40 x 200 |
|     |     |    |       |    |    |     | 224 | E 5040/ 40 x 224 |
|     |     |    |       |    |    |     | 250 | E 5040/ 40 x 250 |
|     |     |    |       |    |    |     | 280 | E 5040/ 40 x 280 |
| 50  | 70  | 10 | -     | -  | -  | 50  | 250 | E 5040/ 50 x 250 |
|     |     |    |       |    |    |     | 280 | E 5040/ 50 x 280 |
|     |     |    |       |    |    |     | 315 | E 5040/ 50 x 315 |
| 63  | 80  | -  | -     | -  | -  | 63  | 355 | E 5040/ 50 x 355 |
|     |     |    |       |    |    |     | 280 | E 5040/ 63 x 280 |
|     |     |    |       |    |    |     | 315 | E 5040/ 63 x 315 |
| 80  | 100 | -  | 1xM12 | -  | -  | 80  | 355 | E 5040/ 63 x 355 |
|     |     |    |       |    |    |     | 400 | E 5040/ 63 x 400 |
|     |     |    |       |    |    |     | 315 | E 5040/ 80 x 315 |
| 100 | 125 | -  | 2xM12 | 50 | 72 | 100 | 355 | E 5040/ 80 x 355 |
|     |     |    |       |    |    |     | 400 | E 5040/ 80 x 400 |
|     |     |    |       |    |    |     | 400 | E 5040/100 x 400 |
|     |     |    |       |    |    |     | 450 | E 5040/100 x 450 |

1) d1<sup>H7</sup>: Bohrungstoleranz für Presssitz / d1<sup>H7</sup>: bore tolerance for press fit

