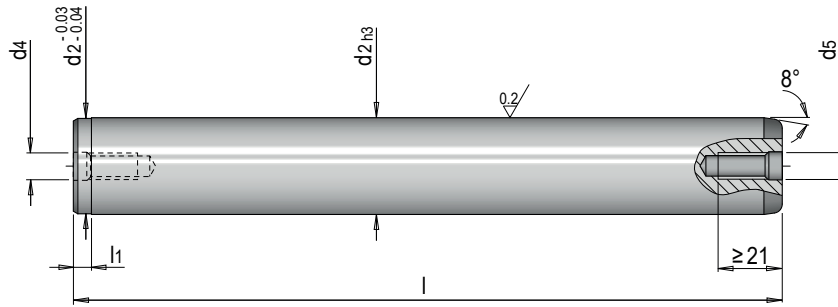


E 5030



Führungssäule glatt

Guide pillar plain



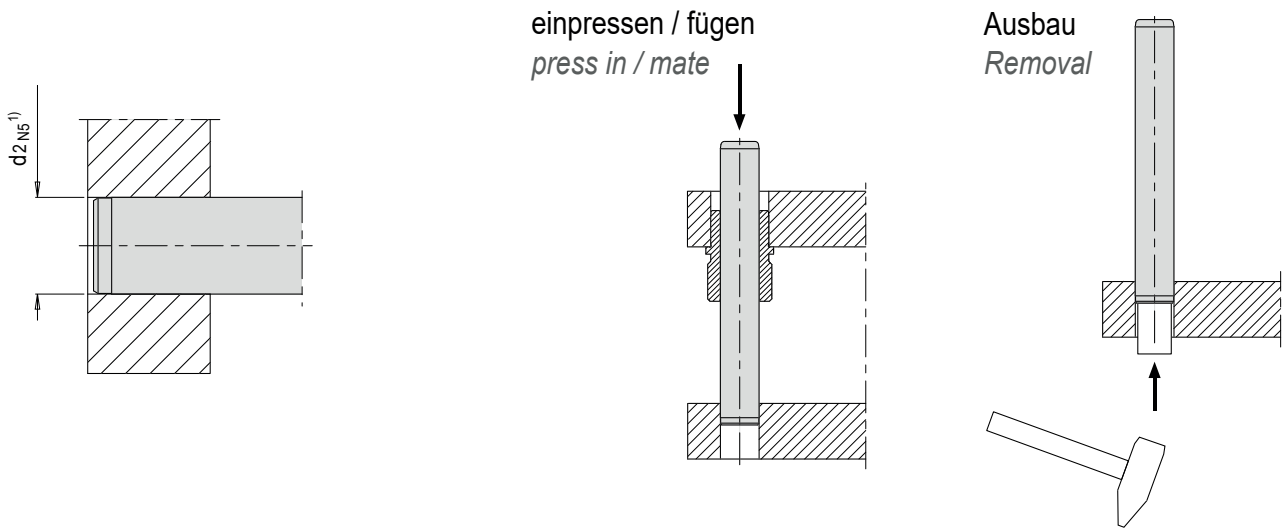
3.2/

≈ ISO 9182 (DIN 9825)

Mat.: 1.1213 ≈ 62 HRC inductive

l1	d4	d5	d2	l	Nr. / No.	d2	Nr. / No.
3	M8	M8	19	80	E 5030/19 x 80	20	E 5030/20 x 80
				100	E 5030/19 x 100		E 5030/20 x 100
				112	E 5030/19 x 112		E 5030/20 x 112
				125	E 5030/19 x 125		E 5030/20 x 125
				140	E 5030/19 x 140		E 5030/20 x 140
				160	E 5030/19 x 160		E 5030/20 x 160
				180	E 5030/19 x 180		E 5030/20 x 180
				200	E 5030/19 x 200		E 5030/20 x 200
				224	E 5030/19 x 224		E 5030/20 x 224
				250	E 5030/19 x 250		E 5030/20 x 250
3	M8	M8	24	100		25	E 5030/25 x 100
				112	E 5030/24 x 112		E 5030/25 x 112
				125	E 5030/24 x 125		E 5030/25 x 125
				140	E 5030/24 x 140		E 5030/25 x 140
				160	E 5030/24 x 160		E 5030/25 x 160
				180	E 5030/24 x 180		E 5030/25 x 180
				200	E 5030/24 x 200		E 5030/25 x 200
				224	E 5030/24 x 224		E 5030/25 x 224
				250	E 5030/24 x 250		E 5030/25 x 250
				280			E 5030/25 x 280
4	M8	M8	30	125		32	E 5030/32 x 125
				140	E 5030/30 x 140		E 5030/32 x 140
				160	E 5030/30 x 160		E 5030/32 x 160
				180	E 5030/30 x 180		E 5030/32 x 180
				200	E 5030/30 x 200		E 5030/32 x 200
				224	E 5030/30 x 224		E 5030/32 x 224
				250	E 5030/30 x 250		E 5030/32 x 250
				280	E 5030/30 x 280		E 5030/32 x 280
				315			E 5030/32 x 315
				355			E 5030/32 x 355
5	M8	M8	38	140		40	E 5030/40 x 140
				160			E 5030/40 x 160
				180	E 5030/38 x 180		E 5030/40 x 180
				200	E 5030/38 x 200		E 5030/40 x 200
				224	E 5030/38 x 224		E 5030/40 x 224
				250	E 5030/38 x 250		E 5030/40 x 250
				280			E 5030/40 x 280
				315			E 5030/40 x 315
				355			E 5030/40 x 355
				400			E 5030/40 x 400
6	M8	M8	-	180		50	E 5030/50 x 180
				200			E 5030/50 x 200
				224			E 5030/50 x 224
				250			E 5030/50 x 250
				280			E 5030/50 x 280
				315			E 5030/50 x 315
				355			E 5030/50 x 355
				400			E 5030/50 x 400
				500			E 5030/50 x 500
				6	M12		M12
315		E 5030/63 x 315					
355		E 5030/63 x 355					
400		E 5030/63 x 400					





1) $d2_{NS}$: Bohrungstoleranz für Presssitz / $d2_{NS}$: bore tolerance for press fit

