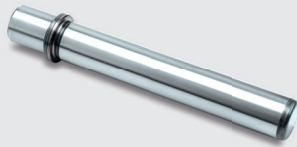
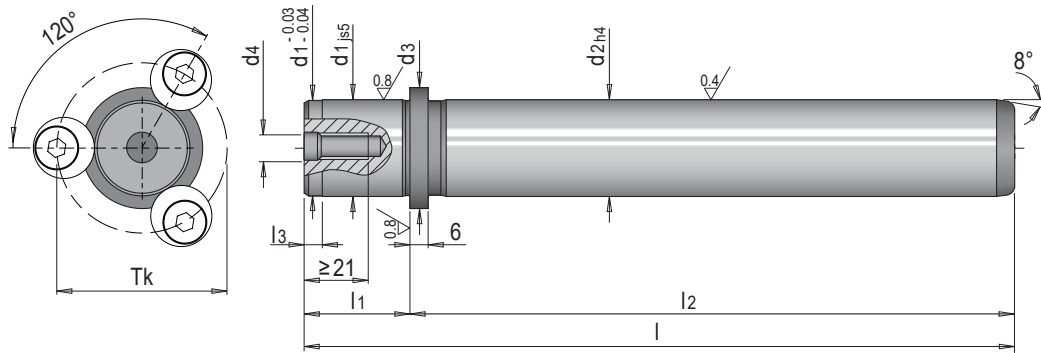


E 5010



Führungssäule h4 mit Bund

Guide pillar h4 with collar



Mat.: 1.1213

≈ 62 HRC induktiv / inductive

nur für Gleitführungsbuchsen geeignet
only suitable for sliding guide bushes

3.2/√

≈ ISO 9182 (DIN 9825)

d1	d3	d4	Tk ¹⁾	E 5270/..	l	l1	l3	d2	l2	Nr. / No.	d2	Nr. / No.										
19/20	25	M 8	38	E 5270/ 6/ 6	83	23	3	-	60	E 5010/19 x 80 E 5010/19 x 100 E 5010/19 x 112 E 5010/19 x 125 E 5010/19 x 140 E 5010/19 x 160 E 5010/19 x 180	20	E 5010/20 x 60 E 5010/20 x 80 E 5010/20 x 100 E 5010/20 x 112 E 5010/20 x 125 E 5010/20 x 140 E 5010/20 x 160 E 5010/20 x 180 E 5010/20 x 200 E 5010/20 x 224 E 5010/20 x 250										
					103			19	80													
					123			100														
					135			112														
					148			125														
					163			140														
					183			160														
					203			180														
					223			200														
					247			224														
					273			250														
					24/25			32	M 8				43	E 5270/ 6/ 6	90	30	3	-	60	E 5010/24 x 100 E 5010/24 x 112 E 5010/24 x 125 E 5010/24 x 140 E 5010/24 x 160 E 5010/24 x 180 E 5010/24 x 200 E 5010/24 x 224 E 5010/24 x 250	25	E 5010/25 x 60 E 5010/25 x 80 E 5010/25 x 100 E 5010/25 x 112 E 5010/25 x 125 E 5010/25 x 140 E 5010/25 x 160 E 5010/25 x 180 E 5010/25 x 200 E 5010/25 x 224 E 5010/25 x 250 E 5010/25 x 280 E 5010/25 x 315
															110			24	80			
															130			100				
142	112																					
155	125																					
170	140																					
190	160																					
210	180																					
230	200																					
254	224																					
280	250																					
310	280																					
345	315																					
30/32	40	M 8	51	E 5270/ 6/ 6		135	35			4	-	100			E 5010/30 x 112 E 5010/30 x 125 E 5010/30 x 140 E 5010/30 x 160 E 5010/30 x 180 E 5010/30 x 200 E 5010/30 x 224 E 5010/30 x 250 E 5010/30 x 280			32	E 5010/32 x 100 E 5010/32 x 112 E 5010/32 x 125 E 5010/32 x 140 E 5010/32 x 160 E 5010/32 x 180 E 5010/32 x 200 E 5010/32 x 224 E 5010/32 x 250 E 5010/32 x 280 E 5010/32 x 315 E 5010/32 x 355			
					147	30		112														
					160	125																
					175	140																
					195	160																
					215	180																
					235	200																
					259	224																
					285	250																
					315	280																
					350	315																
					390	355																
					38/40	50		M 8	61		E 5270/ 6/ 6	147	35	4		-	112			E 5010/38 x 140 E 5010/38 x 160 E 5010/38 x 180 E 5010/38 x 200 E 5010/38 x 224 E 5010/38 x 250 E 5010/38 x 280	40	E 5010/40 x 112 E 5010/40 x 125 E 5010/40 x 140 E 5010/40 x 160 E 5010/40 x 180 E 5010/40 x 200 E 5010/40 x 224 E 5010/40 x 250 E 5010/40 x 280 E 5010/40 x 315 E 5010/40 x 355
												160				38	125					
175	140																					
195	160																					
215	180																					
235	200																					
259	224																					
285	250																					
315	280																					
350	315																					
390	355																					
50	63	M 8	74	E 5270/ 6/ 6			170			45		5			-	125	E 5010/50 x 125 E 5010/50 x 140 E 5010/50 x 160 E 5010/50 x 180 E 5010/50 x 200 E 5010/50 x 224 E 5010/50 x 250 E 5010/50 x 280 E 5010/50 x 315 E 5010/50 x 355 E 5010/50 x 400 E 5010/50 x 450	50	E 5010/50 x 125 E 5010/50 x 140 E 5010/50 x 160 E 5010/50 x 180 E 5010/50 x 200 E 5010/50 x 224 E 5010/50 x 250 E 5010/50 x 280 E 5010/50 x 315 E 5010/50 x 355 E 5010/50 x 400 E 5010/50 x 450			
							185								140							
							205								160							
					225	180																
					245	200																
					269	224																
					295	250																
					325	280																
					360	315																
					400	355																
					445	400																
					495	450																
					63	80	M12	94	E 5270/ 8/ 6		205		45	5	-	160				63	E 5010/63 x 160	

d1	d3	d4	Tk ¹⁾	E 5270/././..	l	l1	l3	d2	l2	Nr. / No.	d2	Nr. / No.
63	80	M12	94	E 5270/ 8/ 6	225	45	5	-	180		63	E 5010/63 x 180
					245				200			E 5010/63 x 200
					270				224			E 5010/63 x 224
					295				250			E 5010/63 x 250
					325				280			E 5010/63 x 280
					360				315			E 5010/63 x 315
					400				355			E 5010/63 x 355
					445				400			E 5010/63 x 400
80	80	M12	110	E 5270/ 8/ 6	295	45	5	-	250		80	E 5010/80 x 250
					325				280			E 5010/80 x 280
					360				315			E 5010/80 x 315
					400				355			E 5010/80 x 355
					445				400			E 5010/80 x 400

1) Tk: Teilkreis Gewinde / Tk: pitch diameter threads

2) E 5274: bis d2 = 50 erhältlich / E 5274: available up to d2 = 50

