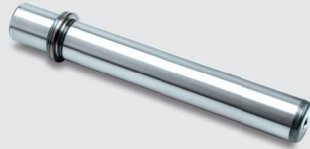
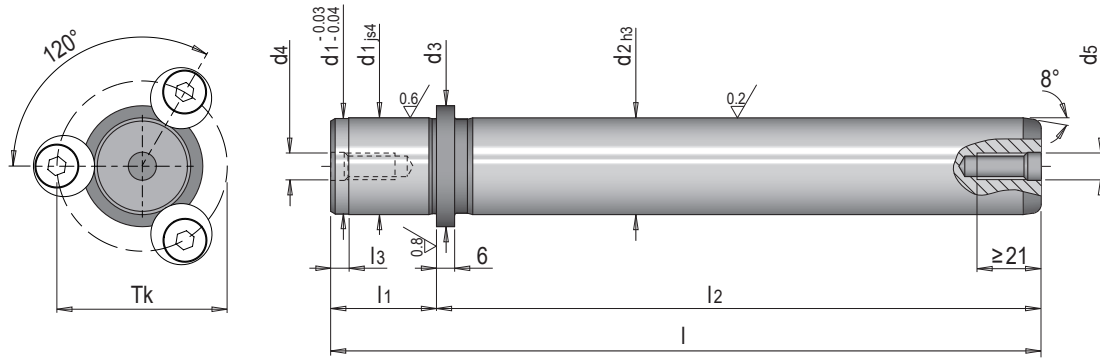


E 5000



Führungssäule mit Bund

Guide pillar with collar



Mat.: 1.1213 ≈ 62 HRC induktiv / inductive

3.2/√

≈ ISO 9182 (DIN 9825)

d1	d3	d4	d5	Tk ⁽¹⁾	E 5270/./..	l	l1	l3	d2	l2	Nr. / No.	d2	Nr. / No.											
19/20	25	M 8	M 8	38	E 5270/ 6/ 6	83	23	3	-	60	E 5000/19 x 80 E 5000/19 x 100 E 5000/19 x 112 E 5000/19 x 125 E 5000/19 x 140 E 5000/19 x 160 E 5000/19 x 180	20	E 5000/20 x 60 E 5000/20 x 80 E 5000/20 x 100 E 5000/20 x 112 E 5000/20 x 125 E 5000/20 x 140 E 5000/20 x 160 E 5000/20 x 180 E 5000/20 x 200 E 5000/20 x 224 E 5000/20 x 250											
						103			19	80														
						123			100															
						135			112															
						148			125															
						163			140															
						183			160															
						203			180															
						223			200															
						247			224															
						273			250															
						24/25			32	M 8				M 8	43	E 5270/ 6/ 6	90	30	3	-	60	E 5000/24 x 100 E 5000/24 x 112 E 5000/24 x 125 E 5000/24 x 140 E 5000/24 x 160 E 5000/24 x 180 E 5000/24 x 200 E 5000/24 x 224 E 5000/24 x 250	25	E 5000/25 x 60 E 5000/25 x 80 E 5000/25 x 100 E 5000/25 x 112 E 5000/25 x 125 E 5000/25 x 140 E 5000/25 x 160 E 5000/25 x 180 E 5000/25 x 200 E 5000/25 x 224 E 5000/25 x 250 E 5000/25 x 280 E 5000/25 x 315
																	110			24	80			
130	100																							
142	112																							
155	125																							
170	140																							
190	160																							
210	180																							
230	200																							
254	224																							
280	250																							
310	280																							
345	315																							
30/32	40	M 8	M 8	51	E 5270/ 6/ 6	135	35	4	-	100	E 5000/30 x 112 E 5000/30 x 125 E 5000/30 x 140 E 5000/30 x 160 E 5000/30 x 180 E 5000/30 x 200 E 5000/30 x 224 E 5000/30 x 250 E 5000/30 x 280	32	E 5000/32 x 100 E 5000/32 x 112 E 5000/32 x 125 E 5000/32 x 140 E 5000/32 x 160 E 5000/32 x 180 E 5000/32 x 200 E 5000/32 x 224 E 5000/32 x 250 E 5000/32 x 280 E 5000/32 x 315 E 5000/32 x 355											
						147			30	112														
						160			125															
						175			140															
						195			160															
						215			180															
						235			200															
						259			224															
						285			250															
						315			280															
						350			315															
						390			355															
						38/40			50	M 8				M 8	61	E 5270/ 6/ 6	147	35	4	-	112	E 5000/38 x 140 E 5000/38 x 160 E 5000/38 x 180 E 5000/38 x 200 E 5000/38 x 224 E 5000/38 x 250 E 5000/38 x 280	40	E 5000/40 x 112 E 5000/40 x 125 E 5000/40 x 140 E 5000/40 x 160 E 5000/40 x 180 E 5000/40 x 200 E 5000/40 x 224 E 5000/40 x 250 E 5000/40 x 280 E 5000/40 x 315 E 5000/40 x 355
160	38	125																						
175	140																							
195	160																							
215	180																							
235	200																							
259	224																							
285	250																							
315	280																							
350	315																							
390	355																							
50	63	M 8	M 8	74	E 5270/ 6/ 6		170	45			5	-	125				E 5000/50 x 125 E 5000/50 x 140 E 5000/50 x 160 E 5000/50 x 180 E 5000/50 x 200 E 5000/50 x 224 E 5000/50 x 250 E 5000/50 x 280 E 5000/50 x 315 E 5000/50 x 355 E 5000/50 x 400 E 5000/50 x 450			50	E 5000/50 x 125 E 5000/50 x 140 E 5000/50 x 160 E 5000/50 x 180 E 5000/50 x 200 E 5000/50 x 224 E 5000/50 x 250 E 5000/50 x 280 E 5000/50 x 315 E 5000/50 x 355 E 5000/50 x 400 E 5000/50 x 450			
							185					140												
						205	160																	
						225	180																	
						245	200																	
						269	224																	
						295	250																	
						325	280																	
						360	315																	
						400	355																	
						445	400																	
						495	450																	
						63	80		M12	M12		94	E 5270/ 8/ 6	205	45	5		-	160			63	E 5000/63 x 160	

d1	d3	d4	d5	Tk ¹⁾	E 5270/./../	l	l1	l3	d2	l2	Nr. / No.	d2	Nr. / No.											
63	80	M12	M12	94	E 5270/ 8/ 6	225	45	5	-	180		63	E 5000/63 x 180											
						245				200			E 5000/63 x 200											
						270				224			E 5000/63 x 224											
						295				250			E 5000/63 x 250											
						325				280			E 5000/63 x 280											
						360				315			E 5000/63 x 315											
						400				355			E 5000/63 x 355											
						445				400			E 5000/63 x 400											
						80				95			M12	M12	110	E 5270/ 8/ 6	295	45	5	-	250		80	E 5000/80 x 250
																	325				280			E 5000/80 x 280
360	315	E 5000/80 x 315																						
400	355	E 5000/80 x 355																						
445	400	E 5000/80 x 400																						

1) Tk: Teilkreis Gewinde / Tk: pitch diameter threads

2) E 5274: bis d2 = 50 erhältlich / E 5274: available up to d2 = 50

