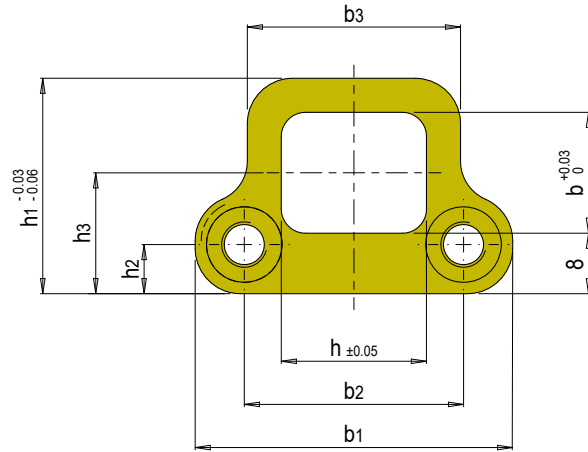
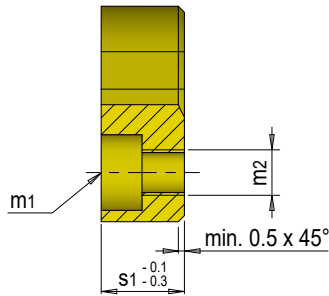


E 32703



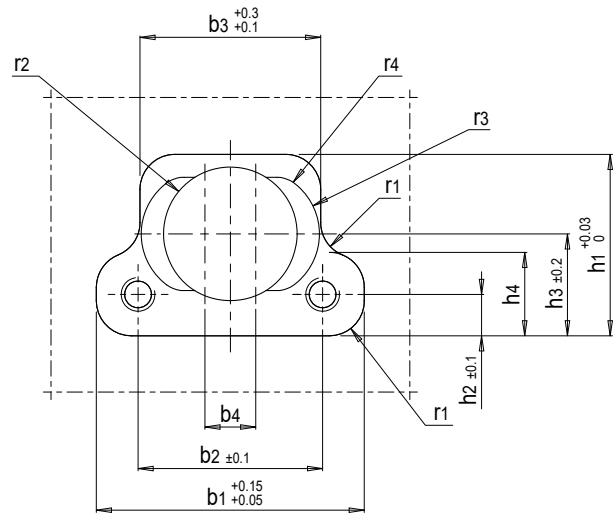
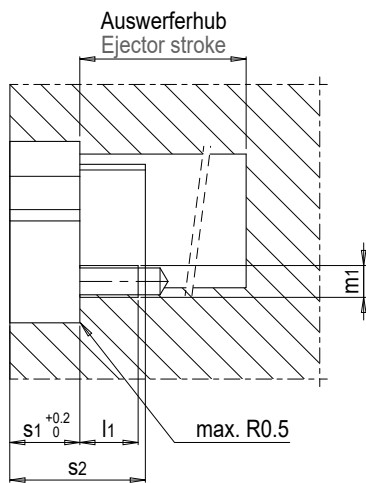
Schubstangenführung, universal

Ejector rod guiding unit, universal



Mat.: CuSn8P

h	b1	h1	m1	s1	b2	h2	m2	b3	h3	b	Nr. / No.
14.4	38	24	M 5	11	25	6.5	M 6	22.4	14	12	E 32703/12
19.2	42	28.5	M 6	14	29	7.5	M 8	28.2	16	16	E 32703/16
24	52	33			37			18	20	E 32703/20	
28.7	58	37.5			43			20	24	E 32703/24	



Nr. / No.	l1	r1	r2	s2	r3	b4	h4	r4
E 32703/12	10	5.5	8	20.3	7.5	7	13.1	4.5
E 32703/16	10	5.5	10.5	21.3	10	8	13.1	4.5
E 32703/20	12	5.5	13	25.3	12.5	9	15.1	5.5
E 32703/24	12	5.5	15.5	27.3	15	11	15.1	5.5