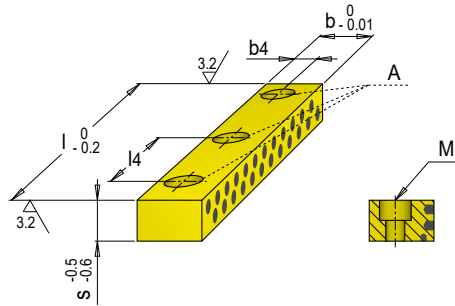


E 3143



Flachführungsleiste einseitig, wartungsfrei, mit Schraubenbohrung

One-sided self-lubricating flat guiding rail, with screw holes



Mat.: 2.0598

≈ 180 HB / Graphit / graphite

0.8

t max. = 200°C

E	M	A ¹⁾	b4	l4	b	s	l	Nr. / No.
E 1226	M 5	2	6	24	16	6	40	E 3143/16/ 6/ 40
				34			50	E 3143/16/ 6/ 50
				47			63	E 3143/16/ 6/ 63
E 1226	M 5	3	6	32	16	8	80	E 3143/16/ 6/ 80
				42			100	E 3143/16/ 8/ 100
				52.5			125	E 3143/20/12/ 125
E 1200	M 6	2	9	43	20	12	63	E 3143/20/12/ 63
				60			80	E 3143/20/12/ 80
				40			100	E 3143/20/12/100
E 1200	M 6	3	9	52.5	20	16	125	E 3143/20/16/ 125
				60			80	E 3143/20/16/ 80
				40			100	E 3143/20/16/100
E 1200	M 8	2	11	76	25	22	100	E 3143/25/22/100
				50.5			125	E 3143/25/22/125
				68			160	E 3143/25/22/160
E 1200	M 8	3	11	58	25	30	200	E 3143/25/30/200
				74			250	E 3143/25/30/250
				50.5			125	E 3143/25/30/125
E 1200	M 8	4	11	58	25	30	200	E 3143/25/30/200
				74			250	E 3143/25/30/250
				58			200	E 3143/25/30/200
E 1200	M 10	3	14	64	32	38	160	E 3143/32/38/160
				84			200	E 3143/32/38/200
				72			250	E 3143/32/38/250
E 1200	M 10	4	14	93	32	38	315	E 3143/32/38/315

1) A: Anzahl Bohrungen / A: Number of holes

