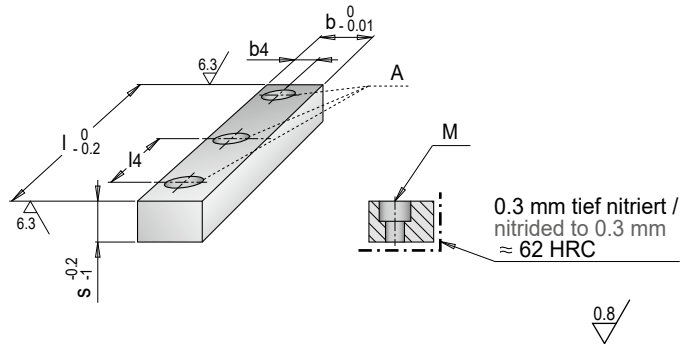


E 3141



Flachführungsleiste einseitig, mit Schraubenbohrung

One-sided flat guiding rail, with screw hole



Mat.: 1.8550

E	M	A ¹⁾	b ₄	l ₄	b	s	l	Nr. / No.
E 1226	M 5	2	6	24	16	6	40	E 3141/16/ 6/ 40
				34			50	E 3141/16/ 6/ 50
				47			63	E 3141/16/ 6/ 63
E 1226	M 5	3	6	32	16	8	80	E 3141/16/ 6/ 80
				42			50	E 3141/16/ 8/ 50
				47			63	E 3141/16/ 8/ 63
E 1200	M 6	2	9	43	20	12	63	E 3141/20/12/ 63
				60			80	E 3141/20/12/ 80
				40			100	E 3141/20/12/100
E 1200	M 6	3	9	52.5	20	16	125	E 3141/20/12/125
				60			80	E 3141/20/16/ 80
				40			100	E 3141/20/16/100
E 1200	M 8	2	11	76	25	22	100	E 3141/25/22/100
				50.5			125	E 3141/25/22/125
				68			160	E 3141/25/22/160
E 1200	M 8	3	11	58	25	30	200	E 3141/25/22/200
				50.5			125	E 3141/25/30/125
				68			160	E 3141/25/30/160
E 1200	M 8	4	11	58	25	30	200	E 3141/25/30/200
				74			250	E 3141/25/30/250
				84			315	E 3141/25/30/315
E 1200	M10	3	14	64	32	38	160	E 3141/32/38/160
				84			200	E 3141/32/38/200
				72			250	E 3141/32/38/250
E 1200	M10	4	14	93	32	38	315	E 3141/32/38/315

1) A: Anzahl Bohrungen / A: number of holes

