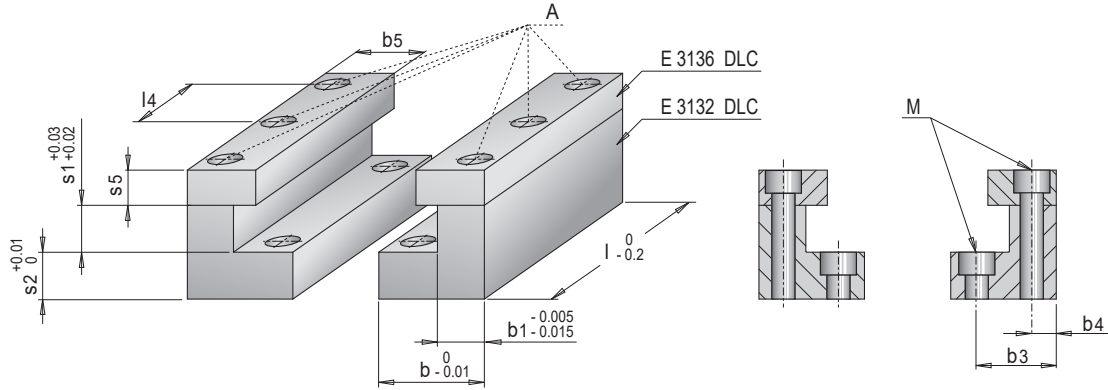


E 31300



Schieberführung

Slide guide



10 (8) x E 1200



DLC beschichtet / DLC coated

A ¹⁾	M	b1	s2	b3	b4	l4	s5	b5	b	s1	l	Nr. / No.			
4	M 5	12	12	21	6	50	10	17	27	10	70	E 31300/27/10/ 70			
6						100					E 31300/27/10/100				
4						12					70	E 31300/27/12/ 70			
6											100	E 31300/27/12/100			
4						14					80	E 31300/27/14/ 80			
											120	E 31300/27/14/120			
4						18				85	130	E 31300/27/18/ 85			
													95	E 31300/27/18/130	
													140	E 31300/27/25/140	
													25	105	E 31300/27/32/105
														150	E 31300/27/32/150
													4	M 6	15
6	100	E 31300/35/10/100													
4	12	70	E 31300/35/12/ 70												
6		100	E 31300/35/12/100												
4	14	80	E 31300/35/14/ 80												
		120	E 31300/35/14/120												
4	18	85	130	E 31300/35/18/ 85											
					95	E 31300/35/18/130									
					140	E 31300/35/25/140									
					25	105	E 31300/35/32/105								
						150	E 31300/35/32/150								
					4	40	120	170	E 31300/35/40/120						
170	E 31300/35/40/170														
10	70	E 31300/40/10/ 70													
	100	E 31300/40/10/100													
12	70	E 31300/40/12/ 70													
	100	E 31300/40/12/100													
4	14	80	120	E 31300/40/14/ 80											
					120	E 31300/40/14/120									
					18	85	E 31300/40/18/ 85								
						130	E 31300/40/18/130								
					25	95	E 31300/40/25/ 95								
						140	E 31300/40/25/140								
4	M 6	15	15	31	9	50	10	20	40	10	70	E 31300/40/10/ 70			
						6					100	E 31300/40/10/100			
						4					12	70	E 31300/40/12/ 70		
						6						100	E 31300/40/12/100		
						4					14	80	E 31300/40/14/ 80		
												120	E 31300/40/14/120		
4	18	85	130	E 31300/40/18/ 85											
					95	E 31300/40/18/130									
					140	E 31300/40/25/140									
					25	105				E 31300/40/32/105					
						150				E 31300/40/32/150					
					4	M 8				19	19	45	11	40	12
6	100	E 31300/56/12/100													
4	14	80	E 31300/56/14/ 80												
6		120	E 31300/56/14/120												
4	18	85	E 31300/56/18/ 85												
		130	E 31300/56/18/130												
4	25	95	140	E 31300/56/25/ 95											
					140	E 31300/56/25/140									
					32	105	E 31300/56/32/105								
						150	E 31300/56/32/150								
					4	40	120	E 31300/56/40/120							
							170	E 31300/56/40/170							
4	M 8	19	19	51	11	40	14	26	62	14	70	E 31300/62/14/ 70			
						6					100	E 31300/62/14/100			
						4					14	80	E 31300/62/14/ 80		
						6						120	E 31300/62/14/120		
						4					18	85	E 31300/62/18/ 85		
												130	E 31300/62/18/130		
4	25	95	140	E 31300/62/25/ 95											
					140	E 31300/62/25/140									
					32	105				E 31300/62/32/105					
						150				E 31300/62/32/150					
					4	40				120	E 31300/62/40/120				
										170	E 31300/62/40/170				
4	M 8	19	19	51	11	50	14	26	62	14	80	E 31300/62/14/ 80			
						6					120	E 31300/62/14/120			



A ¹⁾	M	b1	s2	b3	b4	l4	s5	b5	b	s1	l	Nr. / No.									
4	M8	19	19	51	11	55	14	26	62	18	85	E 31300/62/18/ 85									
6						50					130	E 31300/62/18/130									
4						65					25	95	E 31300/62/25/ 95								
6						55					140	E 31300/62/25/140									
						37.5					32	105	E 31300/62/32/105								
						60					150	E 31300/62/32/150									
						45					40	120	E 31300/62/40/120								
						70					170	E 31300/62/40/170									
4						M10					24	24	63	14	55	16	31	77	18	85	E 31300/77/18/ 85
6															50					130	E 31300/77/18/130
4	65	25	95	E 31300/77/25/ 95																	
6	55	140	E 31300/77/25/140																		
	37.5	32	105	E 31300/77/32/105																	
	60	150	E 31300/77/32/150																		
	45	40	120	E 31300/77/40/120																	
	70	170	E 31300/77/40/170																		

1) A: Anzahl Schraubenbohrungen / A: Number of screwholes

