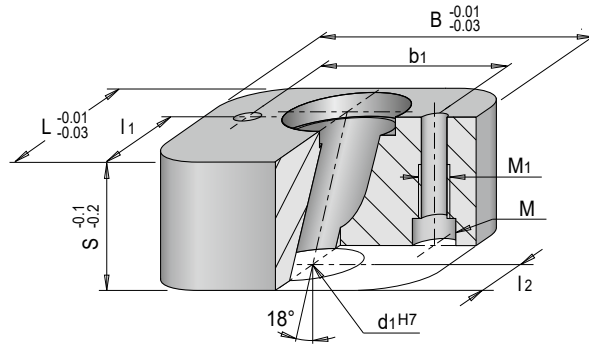


E 3060



Schrägbolzenaufnahme

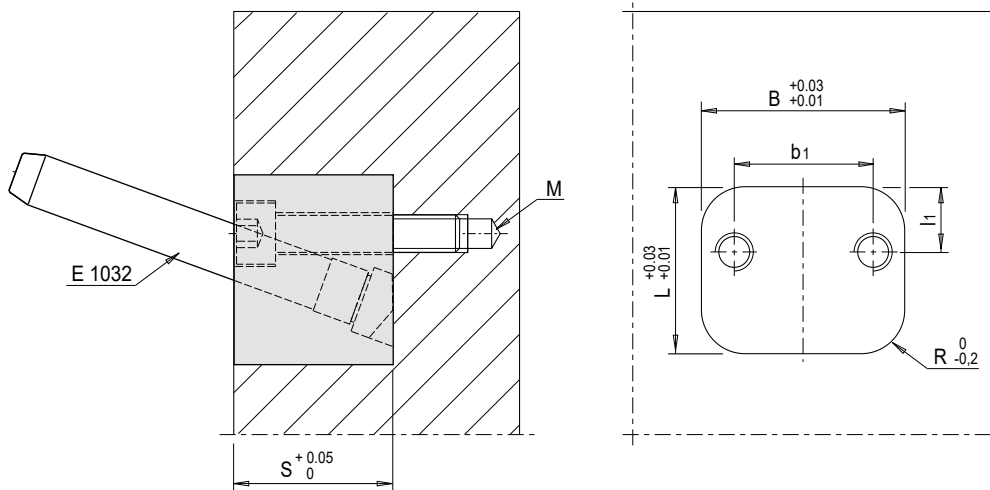
Retainer for inclined pin



1.6

Mat.: 1.2312 $\approx 1080 \text{ N/mm}^2$

B	S	b1	l1	l2	M	M1	R	d1	L	Nr. / No.
32	12	20	8	8	M 4	M 5	6	6	18	E 3060/ 6/18
36	14	22	9	9	M 5	M 6	8	8	22	E 3060/ 8/22
40	18	24	8	6.8	M 6	M 8	8	10	18	E 3060/10/18
			8.5	10					26	E 3060/10/26
40	24	26	10	8.5	M 6	M 8	10	12	23	E 3060/12/23
				11					30	E 3060/12/30
				12					26	E 3060/14/26
44	28	28	10	9.45	M 6	M 8	10	14	26	E 3060/14/26
			12	12					34	E 3060/14/34
52	32	34	12	11	M 8	M10	12	16	30	E 3060/16/30
			14	13					38	E 3060/16/38
54	36	36	12	12	M 8	M10	12	18	33	E 3060/18/33
			16	15					42	E 3060/18/42
56	40	38	12	13	M 8	M10	12	20	36	E 3060/20/36
			18	17					46	E 3060/20/46
			20	19					50	E 3060/22/40
62	44	42	12	14.8	M 8	M10	12	22	40	E 3060/22/40
			22	19					52	E 3060/22/50
66	46	44	12	15.3	M10	M12	12	24	42	E 3060/24/42
			22	19					52	E 3060/24/52
74	56	52	24	22	M10	M12	16	30	62	E 3060/30/62



- » Von der Trennebene aus montierbar
- » Verdrehsicherung durch asymmetrische Schraubenanordnung
- » Tasche kann in einer Aufspannung, ohne Schrägstellung der Formplatte, bearbeitet werden
- » Can be fitted from the split line face
- » Anti-twist protection through asymmetrically arranged screw holes
- » Pocket can be worked in one clamping operation, without having to incline the mould plate