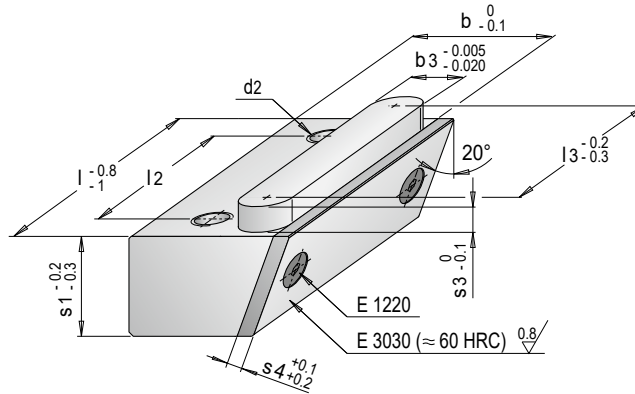


E 3024



Schließkeil mit Druckplatte

Cotter with wear plate



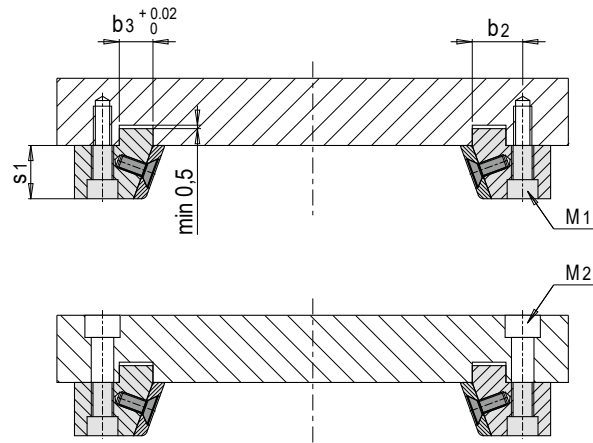
Mat.: 1.2312 $\approx 1080 \text{ N/mm}^2$

3.2

b	b3	s3	s4	d2	l2 ¹⁾	l3	s1	l	Nr. / No.							
18	8	5	4	M 6	-	10	11	20	E 3024/11/ 20							
						18		28	E 3024/11/ 28							
						30		40	E 3024/11/ 40							
						46		56	E 3024/11/ 56							
22	10	6	4	M 8	-	8	15	20	E 3024/15/ 20							
						16		28	E 3024/15/ 28							
						28		40	E 3024/15/ 40							
						44		56	E 3024/15/ 56							
28	12	6	4	M 8	-	10	19	24	E 3024/19/ 24							
						22		36	E 3024/19/ 36							
						26		40	E 3024/19/ 40							
						36		50	E 3024/19/ 50							
						46		60	E 3024/19/ 60							
						58		72	E 3024/19/ 72							
32	12	6	4	M10	-	10	24	24	E 3024/24/ 24							
						22		36	E 3024/24/ 36							
						26		40	E 3024/24/ 40							
						30		50	E 3024/24/ 50							
						36		60	E 3024/24/ 60							
						44		72	E 3024/24/ 72							
						48		80	E 3024/24/ 80							
						66		100	E 3024/24/100							
40	16	8	6	M10	-	22	28	40	E 3024/28/ 40							
						32		50	E 3024/28/ 50							
						42		60	E 3024/28/ 60							
						62		80	E 3024/28/ 80							
						82		100	E 3024/28/100							
						102		120	E 3024/28/120							
						14		32	E 3024/31/ 32							
						22		40	E 3024/31/ 40							
50	16	8	6	M12	-	22	39	40	E 3024/39/ 40							
						38		56	E 3024/39/ 56							
						62		80	E 3024/39/ 80							
						94		112	E 3024/39/112							
						63		20	10	6	M16	-	18	49	40	E 3024/49/ 40
													28		50	E 3024/49/ 50
													38		60	E 3024/49/ 60
													50		72	E 3024/49/ 72
													58		80	E 3024/49/ 80
													78		100	E 3024/49/100
98	120	E 3024/49/120														
118	140	E 3024/49/140														
70	20	10	6	M16	-	18	60	40	E 3024/60/ 40							
						28		50	E 3024/60/ 50							
						38		60	E 3024/60/ 60							
						58		80	E 3024/60/ 80							
						78		100	E 3024/60/100							
						98		120	E 3024/60/120							
						80		25	12	6	M16	-	23	75	50	E 3024/75/ 50
													33		60	E 3024/75/ 60
53	80	E 3024/75/ 80														
73	100	E 3024/75/100														
93	120	E 3024/75/120														

1) l2: " - " Eine Bohrung mittig / l2: " - " One screw hole, centred





s1	M1	M2	b2
11	M 4	M 6	13
15	M 6	M 8	15
19	M 6	M 8	18
24	M 8	M10	20
28	M 8	M10	24
31	M 8	M10	24
39	M10	M12	26
49	M12	M16	32
60	M12	M16	36
75	M12	M16	42



- » E 3024 - Fertige Schließkeile mit durchgehärteten Druckplatten zum Abstimmen
- » Von der Trennebene aus montierbar
- » Druckplatten E 3030 separat lieferbar
- » E 3024 - Adjustable, finished cotters with through-hardened wear plates
- » Can be fitted from the split line face
- » E 3030 wear plates can be ordered separately