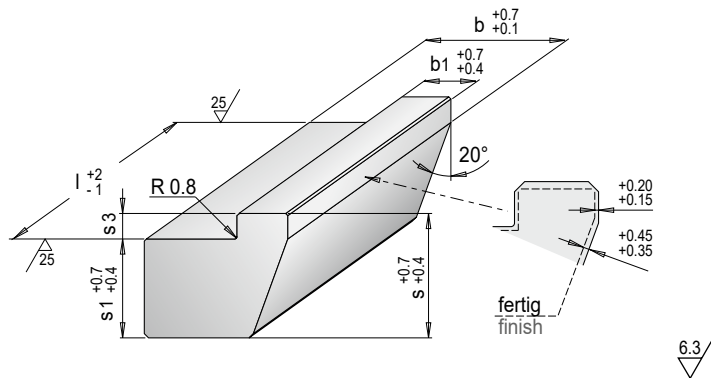


E 3020



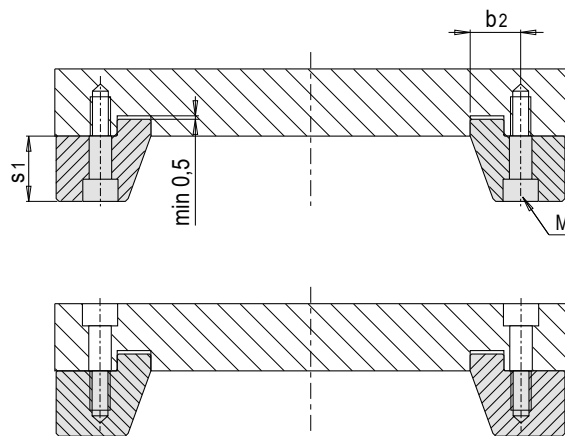
Schließkeil mit Schleifzugabe

Cotter with grinding allowance



Mat.: 1.2767      ≈ 830 N/mm<sup>2</sup>

b	b1	s	s3	s1	l	Nr. / No.
20	8	16	5	11	122	E 3020/11/122
					250	E 3020/11/250
					504	E 3020/11/504
25	10	21	6	15	122	E 3020/15/122
					250	E 3020/15/250
					504	E 3020/15/504
32	12	25	6	19	122	E 3020/19/122
					250	E 3020/19/250
					504	E 3020/19/504
36	12	30	6	24	122	E 3020/24/122
					250	E 3020/24/250
					504	E 3020/24/504
45	16	39	8	31	122	E 3020/31/122
					250	E 3020/31/250
					504	E 3020/31/504
56	16	47	8	39	122	E 3020/39/122
					250	E 3020/39/250
					504	E 3020/39/504
70	20	59	10	49	122	E 3020/49/122
					250	E 3020/49/250
					504	E 3020/49/504



s1	M	b2
11	M 6	13
15	M 8	16
19	M 8	18
24	M10	19
31	M10	24
39	M12	26
49	M16	32