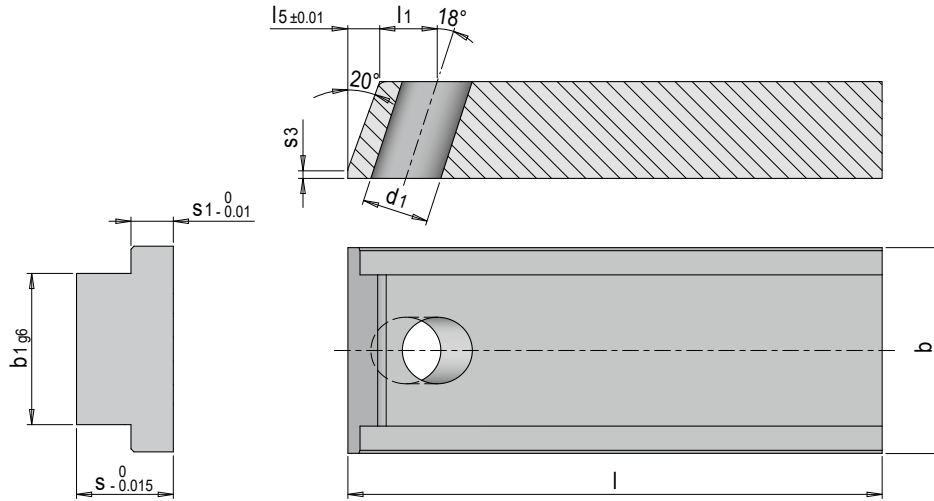


## E 3016



### Schieber

### Slide



| E <sup>1)</sup>         |                       | b    | l   | d1 | l1    | s1 | s3  | l5    | Nr./No. / | s / | b1 | 2311 | 2343ESU |
|-------------------------|-----------------------|------|-----|----|-------|----|-----|-------|-----------|-----|----|------|---------|
| E30110                  | E 3027                | 17.5 | 72  | 7  | 5.75  | 3  | 1.5 | 2.37  | E 3016    | 8   | 12 | ●    | ●       |
|                         |                       | 21.5 |     | 9  | 6.75  |    |     |       |           |     | 16 | ●    | ●       |
|                         |                       | 25.5 |     | 11 | 7.75  |    |     |       |           |     | 20 | ●    | ●       |
|                         |                       | 30.5 |     | 11 | 7.75  |    |     |       |           |     | 25 | ●    | ●       |
| E30110                  | E 3027                | 17.5 | 74  | 7  | 5.75  | 5  | 1.5 | 3.09  | E 3016    | 10  | 12 | ●    | ●       |
|                         |                       | 21.5 |     | 9  | 6.75  |    |     |       |           |     | 16 | ●    | ●       |
|                         |                       | 25.5 |     | 11 | 7.75  |    |     |       |           |     | 20 | ●    | ●       |
|                         |                       | 30.5 |     | 11 | 7.75  |    |     |       |           |     | 25 | ●    | ●       |
| E30110 oder / or E30120 | E 3027                | 17.5 | 76  | 7  | 5.75  | 6  | 1.5 | 3.82  | E 3016    | 12  | 12 | ●    | ●       |
|                         |                       | 21.5 |     | 9  | 6.75  |    |     |       |           |     | 16 | ●    | ●       |
|                         |                       | 27   |     | 11 | 7.75  |    |     |       |           |     | 20 | ●    | ●       |
|                         |                       | 32   |     | 11 | 7.75  |    |     |       |           |     | 25 | ●    | ●       |
| E30110 oder / or E30120 | E3024 oder / or E3026 | 29   | 78  | 11 | 7.75  | 8  | 1.5 | 5.28  | E 3016    | 16  | 20 | ●    | ●       |
|                         |                       | 34   |     | 11 | 7.75  |    |     |       |           |     | 25 | ●    | ●       |
|                         |                       | 41   |     | 11 | 7.75  |    |     |       |           |     | 32 | ●    | ●       |
|                         |                       | 49   |     | 11 | 7.75  |    |     |       |           |     | 40 | ●    | ●       |
| E30110 oder / or E30120 | E3024 oder / or E3026 | 34   | 92  | 13 | 9.75  | 8  | 2   | 6.55  | E 3016    | 20  | 25 | ●    | ●       |
|                         |                       | 41   |     | 13 | 9.75  |    |     |       |           |     | 32 | ●    | ●       |
|                         |                       | 49   |     | 13 | 9.75  |    |     |       |           |     | 40 | ●    | ●       |
|                         |                       | 49   |     | 13 | 9.75  |    |     |       |           |     | 40 | ●    | ●       |
| E30110 oder / or E30120 | E3024 oder / or E3026 | 34   | 98  | 13 | 9.75  | 8  | 2   | 8.37  | E 3016    | 25  | 25 | ●    | ●       |
|                         |                       | 41   |     | 13 | 9.75  |    |     |       |           |     | 32 | ●    | ●       |
|                         |                       | 49   |     | 13 | 9.75  |    |     |       |           |     | 40 | ●    | ●       |
|                         |                       | 49   |     | 13 | 9.75  |    |     |       |           |     | 40 | ●    | ●       |
| E30110 oder / or E30120 | E3024 oder / or E3026 | 43   | 116 | 15 | 11.62 | 10 | 2   | 10.92 | E 3016    | 32  | 32 | ●    | ●       |
|                         |                       | 51   |     | 15 | 11.62 |    |     |       |           |     | 40 | ●    | ●       |
|                         |                       | 61   |     | 15 | 11.62 |    |     |       |           |     | 50 | ●    | ●       |

1) E: Passende Schieberführung oder Schließkeil / E: Appropriate slide guide or cotter

