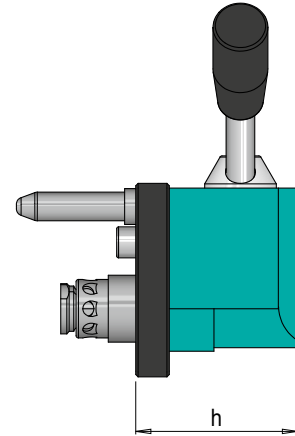
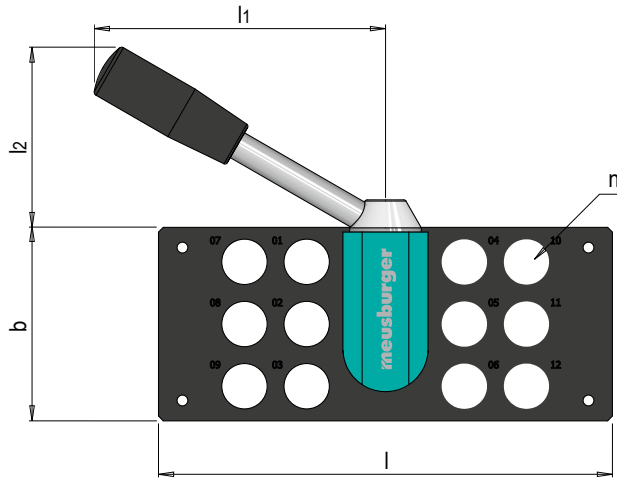
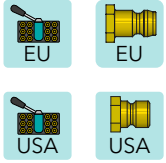


E 28700



Platte für Multikupplung, maschinenseitig

Plate for multi coupler, machine side



t max. = 150°C  
p max. = 16 bar

b	l	h	l1	l2	DN	n	Nr./No.
81	140	68	122	76	9	6	E 28700/ 9/ 6
	190					12	E 28700/ 9/12
103	206					20	E 28700/ 9/20

