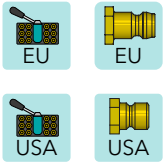
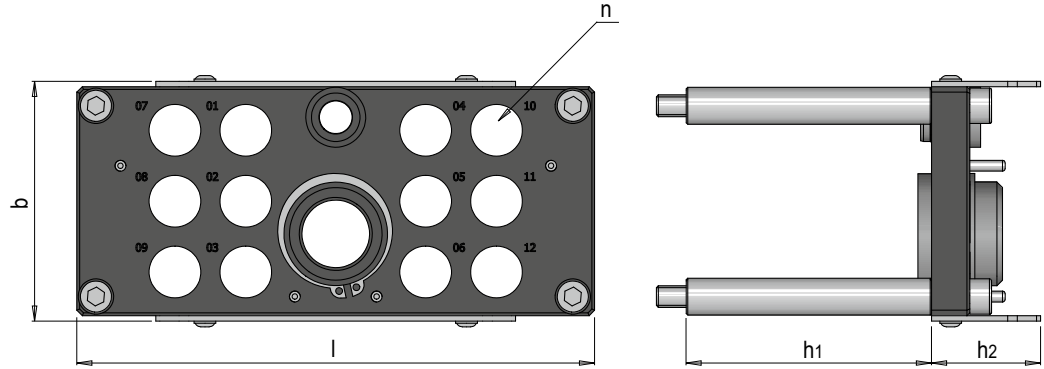


E 28600



Platte für Multikupplung, werkzeugseitig

Plate for multi coupler, mould side



t max = 150°C  
p max = 16 bar

b	l	h1	h2	DN	n	Nr. / No.
88	140	90	40	9	6	E 28600/ 9/ 6
	190				12	E 28600/ 9/12
108	206				20	E 28600/ 9/20

