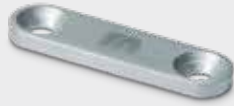
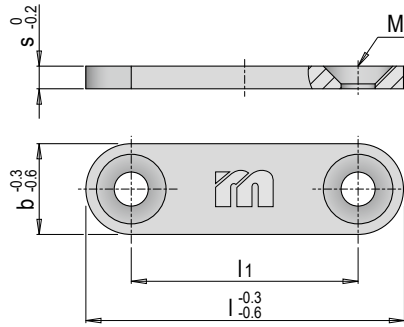


E 2765



Halteblech für Kabel

Cable retainer



Mat.: 3.3206 (AlMgSi0.5) / eloxiert
3.3206 (AlMgSi0.5) / anodised

l	s	M	b	l1	Nr. / No.
30	2	M3	10	20	E 2765/10/20
40				30	E 2765/10/30
50				40	E 2765/10/40
60				50	E 2765/10/50
42	3	M4	12	30	E 2765/12/30
57				45	E 2765/12/45
72				60	E 2765/12/60

