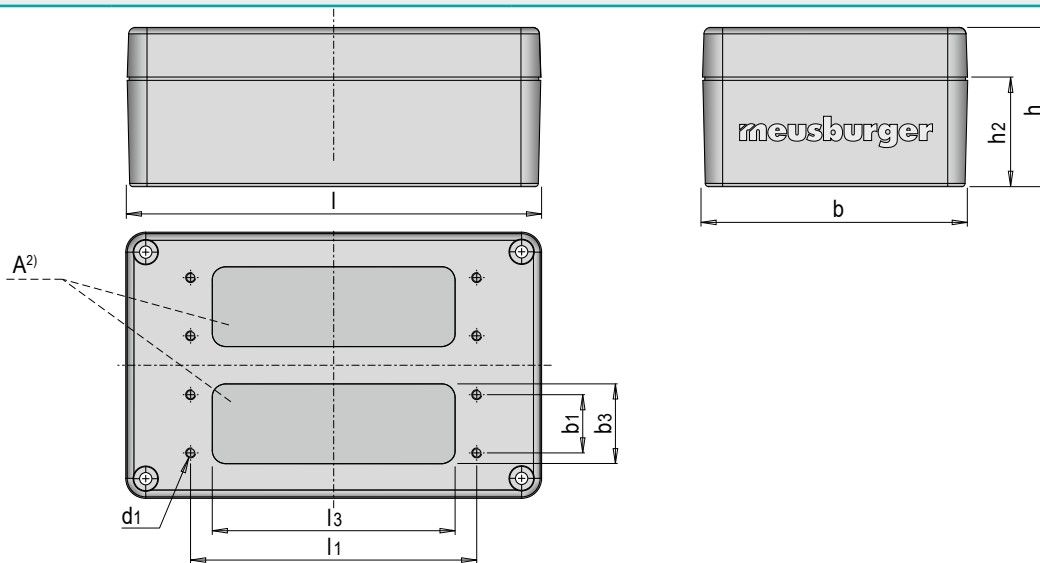


E 2730



Kabelgehäuse, Deckel mit Montageausschnitt

Cable housing, cover with cut-out



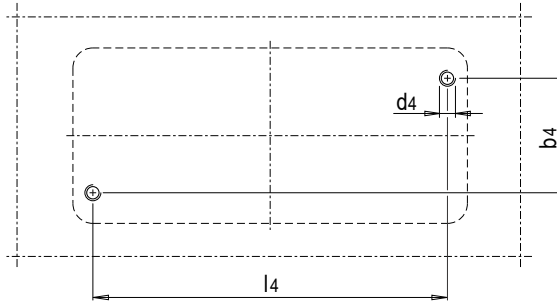
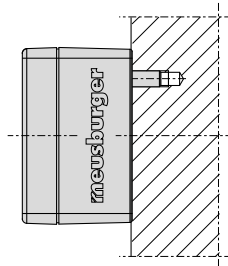
Mat.: Aluminiumdruckguss, pulverbeschichtet  
powder coated die-cast aluminium

	h	l1	b1	d1	h2	l3	b3	l4	b4	d4	b	l	Pole / Poles	Typ / Type <sup>1)</sup>	A <sup>2)</sup>	Nr. / No.
	36	70	17.5	M3	26	57	24	86	36	M4	64	98	10	A	1	E 2730/ 64x 98/10Ax1
	57				42			113	52		80	125			2	E 2730/ 80x125/10Ax2
	57	86	17.5	M3	42	73	24	113	52	M4	80	125	16	A	1	E 2730/ 80x125/16Ax1
															2	E 2730/ 80x125/16Ax2
								238				250			4	E 2730/ 80x250/16Ax4
	57	92	42	M4	42	73	48	113	52	M4	80	125	32	A	1	E 2730/ 80x125/32Ax1
								238				250			2	E 2730/ 80x250/32Ax2
	81				61			344	82	M6	120	360			4	E 2730/120x360/32Ax4
	36	70	32	M4	26	48	35	86	36	M4	64	98	6	B	1	E 2730/ 64x 98/ 6Bx1
	57				42			238	52		80	250			2	E 2730/ 80x250/ 6Bx2
	36	83	32	M4	26	60	35	138	36	M4	64	150	10	B	1	E 2730/ 64x150/10Bx1
	57				42			238	52		80	250			2	E 2730/ 80x250/10Bx2
	57	103	32	M4	42	82	35	113	52	M4	80	125	16	B	1	E 2730/ 80x125/16Bx1
	81				61			204	82	M6	120	220			2	E 2730/120x220/16Bx2
	91				71			240	110		160	260			4	E 2730/160x260/16Bx4

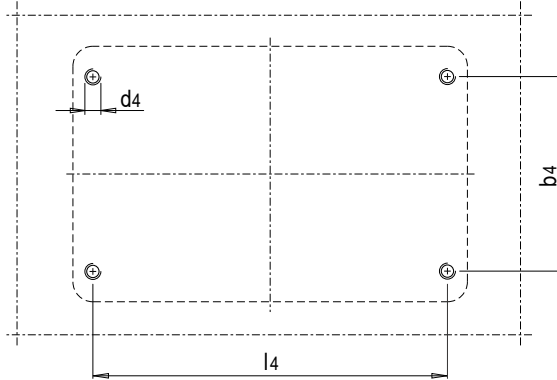
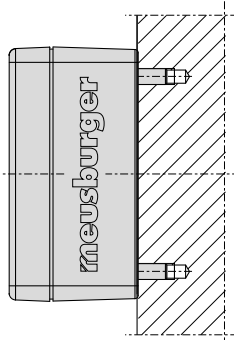
	h	l1	b1	d1	h2	l3	b3	l4	b4	d4	b	l	Pole / Poles	Typ / Type <sup>1)</sup>	A <sup>2)</sup>	Nr. / No.
	34	130	32	M4	25	108	35	173.5	36	M4	64	185	24	B	1	E 2730/ 64x185/24Bx1
	57				42			163	52		80	175				E 2730/ 80x175/24Bx1
	81				61			204	82	M6	120	220			2	E 2730/120x220/24Bx2
	91				71			240	110		160	260			4	E 2730/160x260/24Bx4

1) Typ: Steckertyp E 2700, E 2702 / Type: Type of connector E 2700, E 2702

2) A: Anzahl der Ausfräsungen / A: Number of pockets



$b \leq 80 \text{ mm}$



$b = 120-160 \text{ mm}$

