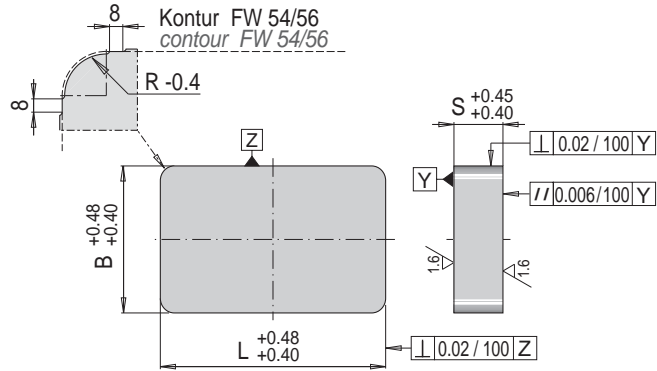


NF 2660



NF - Formeinsätze

NF - Inserts



3.2/

F53/F053	Nr./No. / B L / S / R /	2083	2311	2343ESU	2714HH	2767	
156 156	NF 2660/100 100	12 10		K		K	
		16 10		K		K	
		20 10		K	K		K
		25 10	K	K	K	K	K
		32 10	K	K	K	K	K
		40 10	K	K	K	K	K
156 196	NF 2660/100 140	12 10		K		K	
		16 10		K	K		K
		20 10		K	K	K	K
		25 10	K	K	K	K	K
		32 10	K	K	K	K	K
		40 10	K	K	K	K	K
156 246	NF 2660/100 190	12 10		K		K	
		16 10		K	K		K
		20 10		K	K	K	K
		25 10	K	K	K	K	K
		32 10	K	K	K	K	K
		40 10	K	K	K	K	K
156 296	NF 2660/100 240	20 10		K		K	
		25 10	K	K	K	K	
		32 10	K	K	K	K	
196 196	NF 2660/130 130	12 12		K		K	
		16 12		K		K	
		20 12		K	K		K
		25 12	K	K	K	K	K
		32 12	K	K	K	K	K
		40 12	K	K	K	K	K
196 246	NF 2660/130 180	12 12		K		K	
		16 12		K	K		K
		20 12		K	K	K	K
		25 12	K	K	K	K	K
		32 12	K	K	K	K	K
		40 12	K	K	K	K	K
196 296	NF 2660/130 230	16 12		K		K	
		20 12		K	K		K
		25 12	K	K	K	K	K
		32 12	K	K	K	K	K
		40 12	K	K	K	K	K
		50 12	K	K	K	K	K
196 346	NF 2660/120 270	25 12	K	K	K	K	
		32 12	K	K	K	K	
		40 12	K	K	K	K	
		50 12	K	K	K	K	
216 246	NF 2660/150 180	20 12		K		K	
		25 12	K	K	K	K	
		32 12	K	K	K	K	
		40 12	K	K	K	K	
		50 12	K	K	K	K	
216 296	NF 2660/150 230	20 12		K		K	
		25 12	K	K	K	K	
		32 12	K	K	K	K	
		40 12	K	K	K	K	

F53/F053	Nr. / No. / B L / S / R /	2083	2311	2343ESU	2714HH	2767	
216 296	NF 2660/150 230	50 12	K	K	K	K	
246 246	NF 2660/180 180	16 12		K			
		20 12		K			
		25 12	K	K	K	K	K
		32 12	K	K	K	K	K
		40 12	K	K	K	K	K
		50 12	K	K	K	K	K
		60 12	K	K	K	K	K
246 296	NF 2660/170 220	20 12		K	K	K	
		25 12	K	K	K	K	
		32 12	K	K	K	K	K
		40 12	K	K	K	K	K
		50 12	K	K	K	K	K
		60 12	K	K	K	K	K
246 346	NF 2660/170 270	20 12		K	K	K	
		25 12	K	K	K	K	
		32 12	K	K	K	K	K
		40 12	K	K	K	K	K
		50 12	K	K	K	K	K
		60 12	K	K	K	K	K
246 396	NF 2660/170 320	20 12		K	K	K	
		25 12	K	K	K	K	
		32 12	K	K	K	K	K
		40 12	K	K	K	K	K
		50 12	K	K	K	K	K
		60 12	K	K	K	K	K
246 446	NF 2660/160 360	25 12	K	K	K	K	
		32 12	K	K	K	K	
		40 12	K	K	K	K	
		50 12	K	K	K	K	
		60 12	K	K	K	K	
296 296	NF 2660/210 210	20 16		K			
		25 16	K	K	K	K	
		32 16	K	K	K	K	
		40 16	K	K	K	K	
		50 16	K	K	K	K	
		60 16	K	K	K	K	
296 346	NF 2660/210 260	20 16		K			
		25 16	K	K	K	K	
		32 16	K	K	K	K	
		40 16	K	K	K	K	
		50 16	K	K	K	K	
		60 16	K	K	K	K	
296 396	NF 2660/210 310	20 16		K			
		25 16	K	K	K	K	
		32 16	K	K	K	K	
		40 16	K	K	K	K	
		50 16	K	K	K	K	
		60 16	K	K	K	K	
296 446	NF 2660/210 360	25 16		K			
		32 16		K			
		40 16		K	K		
		50 16		K	K		
		60 16		K	K		
346 346	NF 2660/260 260	32 16		K			
		40 16		K	K		
		50 16		K	K		
346 396	NF 2660/230 280	32 16		K			
		40 16		K	K		
346 446	NF 2660/230 330	32 16		K			
		40 16		K	K		
346 496	NF 2660/230 380	32 16		K			
		40 16		K	K		
		50 16		K	K		