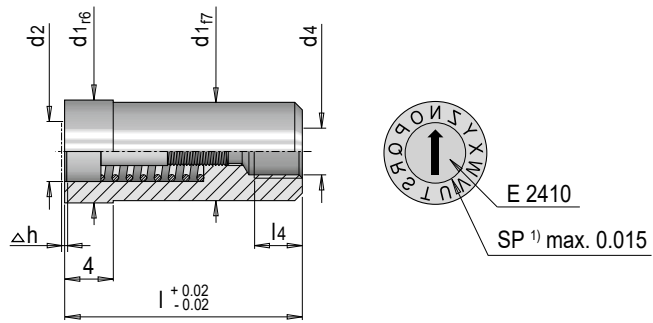


E 2407



Stempel lang N - Z

Stamp N - Z, long



Mat.: 1.4112 ≈ 52 HRC

Δh	l_4	l	d_4	d_2	d_1	Nr. / No.
0.2	2	14	M 2	2.5	4	E 2407/ 4
	3	17	M 3		5	E 2407/ 5
0.35	4	20	M 4	4.6	6	E 2407/ 6
			M 5		8	E 2407/ 8
					10	E 2407/10

1) SP: Luftspalt / SP: Air gap

MONTAGE
MOUNTING

