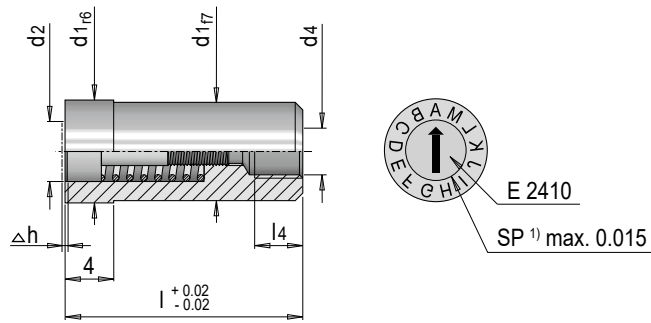


E 2406



Stempel lang A - M

Stamp A - M, long



Mat.: 1.4112 ≈ 52 HRC

| Δh | l4 | l | d4 | d2 | d1 | Nr. / No. |
|------|----|----|-----|-----|----|-----------|
| 0.2 | 2 | 14 | M 2 | 2.5 | 4 | E 2406/ 4 |
| | 3 | 17 | M 3 | | 5 | E 2406/ 5 |
| 0.35 | 4 | 20 | M 4 | 4.6 | 6 | E 2406/ 6 |
| | | | M 5 | | 8 | E 2406/ 8 |
| | | | M 6 | | 10 | E 2406/10 |
| 0.5 | 6 | 25 | M 6 | 6.4 | 12 | E 2406/12 |
| 0.6 | 8 | 33 | M 8 | 8.4 | 16 | E 2406/16 |

1) SP: Luftspalt / SP: Air gap

MONTAGE
MOUNTING

