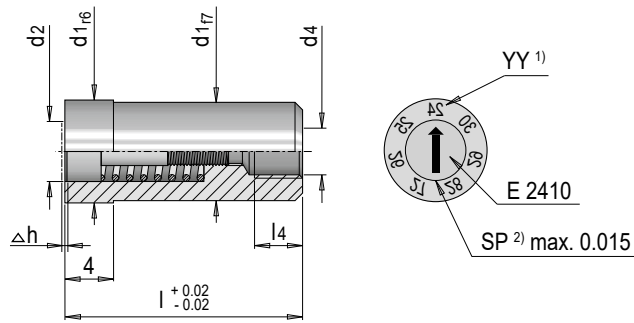


E 2404



Stempel lang Jahr

Year stamp, long



Mat.: 1.4112      ≈ 52 HRC

| $\Delta h$ | $l_4$ | $l$ | $d_4$ | $d_2$ | $d_1$ | YY <sup>1)</sup> | Nr. / No.    |
|------------|-------|-----|-------|-------|-------|------------------|--------------|
| 0.2        | 2     | 14  | M 2   | 2.5   | 4     | Jahr / Year      | E 2404/ 4/YY |
|            | 3     | 17  | M 3   | 3.1   | 5     | Jahr / Year      | E 2404/ 5/YY |
| 0.35       | 4     | 20  | M 4   | 4.6   | 6     | Jahr / Year      | E 2404/ 6/YY |
|            |       |     | M 5   |       | 8     | Jahr / Year      | E 2404/ 8/YY |
|            |       |     | M 6   |       | 10    | Jahr / Year      | E 2404/10/YY |
| 0.5        | 6     | 25  | M 6   | 6.4   | 12    | Jahr / Year      | E 2404/12/YY |
| 0.6        | 8     | 33  | M 8   | 8.4   | 16    | Jahr / Year      | E 2404/16/YY |

1) YY: Bestellbeispiel mit Startjahr 2024: E 2404/ 6/24 / YY: Order example with starting year 2024: E 2404/ 6/24

2) SP: Luftspalt / SP: Air gap

## MONTAGE MOUNTING

