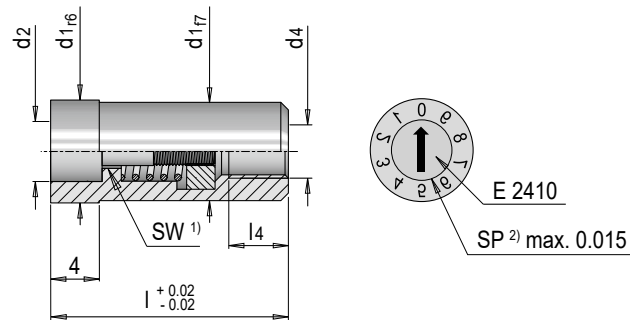


E 24025



Stempel lang 0 - 9, ohne Höhenverstellung

Stamp 0 - 9 with fixed height, long



Mat.: 1.4112 ≈ 52 HRC

SW ¹⁾	l4	l	d4	d2	d1	Nr. / No.
2	3	14	M 2	2.5	4	E 24025/ 4
		17	M 3	3.1	5	E 24025/ 5
3	5	20	M 4	4.6	6	E 24025/ 6
			M 5		8	E 24025/ 8
					10	E 24025/10

1) SW: Schlüsselweite zur Montage von der Trennebene / SW: Wrench size for installation from the split line face

2) SP: Luftspalt / SP: Air gap

MONTAGE MOUNTING

