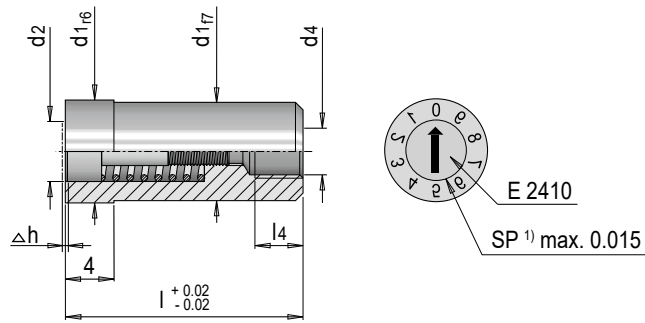


E 2402



Stempel lang 0 - 9

Stamp 0 - 9, long



Mat.: 1.4112 \approx 52 HRC

Δh	l_4	l	d_4	d_2	d_1	Nr. / No.
0.2	2	14	M 2	2.5	4	E 2402/ 4
	3	17	M 3	3.1	5	E 2402/ 5
0.35	4	20	M 4	4.6	6	E 2402/ 6
			M 5		8	E 2402/ 8
			M 6		10	E 2402/10
0.5	6	25	M 6	6.4	12	E 2402/12
0.6	8	33	M 8	8.4	16	E 2402/16

1) SP: Luftspalt / SP: Air gap

MONTAGE MOUNTING

